



USER MANUAL KULLANIM KILAVUZU

ID 250E



EN DC INVERTER ARC WELDING MACHINE

TR KAYNAK İNVERTÖRÜ

(+90) 444 93 53
magmaweld.com
info@magmaweld.com

(+90) 538 927 12 62

Customer Service / Müşteri Hizmetleri: (+90) 444 93 53
E-Mail / E-Posta: info@magmaweld.com
Organize Sanayi Bölgesi, 5. Kısım 45030 Manisa / TURKEY

*All rights reserved. It is prohibited to reproduce this documentation, or any part thereof, without the prior written authorisation of Magma Mekatronik Makine Sanayi ve Ticaret A.Ş. Magma Mekatronik may modify the information and the images without any prior notice.
Tüm hakları saklıdır. Magma Mekatronik Makine Sanayi ve Ticaret A.Ş.'nin yazılı izni olmaksızın bu dökümanın tamamının yada bir bölümünün kopyalanması yasaktır.
Magma Mekatronik önceden haber vermeksizin bilgilerde ve resimlerde değişiklik yapılabilir.*


CONTENTS

	SAFETY PRECAUTIONS	4
1	TECHNICAL INFORMATION	10
1.1	General Information	10
1.2	Machine Components	10
1.3	Product Label	11
1.4	Technical Data	12
1.5	Accessories	12
2	INSTALLATION	13
2.1	Delivery Control	13
2.2	Installation And Operation Recommendations	13
2.3	Mains Plug Connection	14
2.4	Connections For MMA Welding	14
2.5	Connections For Touch-Scratch TIG Welding	14
2.6	Connecting To The Mains	15
3	OPERATION	16
3.1	User Interface	16
3.2	MMA Welding	17
3.3	Touch-Scratch TIG Welding	17
3.4	Remote Control (Optional)	17
4	MAINTENANCE AND SERVICE	18
4.1	Maintenance	19
4.2	Non-Periodic Care	19
4.3	Error Codes	19
5	ANNEX 1 - SPARE PARTS	20
6	ANNEX 2 - SPARE PARTS LIST	21
7	ANNEX 3 - ELECTRICAL DIAGRAM	22



SAFETY PRECAUTIONS

Be Sure To Follow All Safety Rules In This Manual!

Explanation Of Safety Information



- Safety symbols found in the manual are used to identify potential hazards.
- When any one of the safety symbols are seen in this manual, it must be understood that there is a risk of injury and the following instructions should be read carefully to avoid potential hazards.
- The possessor of the machine is responsible for preventing unauthorized persons from accessing the equipment.
- Persons using the machine must be experienced or fully trained in welding; they have to read the user manual before operation and follow the safety instructions.

Definition Of Safety Symbols



ATTENTION

Indicates a potentially hazardous situation that could cause injury or damage. In case if no precaution is taken, it may cause injuries or material losses / damages.



IMPORTANT

Specifies notifications and alerts on how to operate the machine.



DANGER

Indicates a serious danger. In case if not avoided, severe or fatal injuries may occur.

Comprehending Safety Precautions

- Read the user manual, the label on the machine and the safety instructions carefully.
- Make sure that the warning labels on the machine are in good condition. Replace missing and damaged labels.
- Learn how to operate the machine, how to make the checks in a correct manner.
- Use your machine in suitable working environments.
- Improper changes made in your machine will negatively affect the safe operation and its longevity.
- The manufacturer is not responsible for the consequences resulting from the operation of the device beyond the specified conditions.

Electric Shocks May Kill



Make certain that the installation procedures comply with national electrical standards and other relevant regulations, and ensure that the machine is installed by authorized persons.

- Wear dry and sturdy insulated gloves and working apron. Never use wet or damaged gloves and working aprons.
- Do not touch the electrode with the bare hand.
- Never touch parts that carry electricity.
- Never touch the electrode if you are in contact with the electrode attached to the work surface, floor or another machine.
- By isolating yourself from the work surface and the floor, you can protect yourself from possible electric shocks. Use a non-flammable, electrically insulating, dry and undamaged insulation material that is large enough to cut off the operator's contact with the work surface.
- Do not connect more than one electrode to the electrode holder. Keep the machine turned off when not in use.
- Before repairing the machine, remove all power connections and/or connector plugs or turn off the machine.
- Be careful when using a long mains cable.
- Check all cables frequently for possible damage. If a damaged or an uninsulated cable is detected, repair or replace it immediately.
- Make sure that the grounding of the power line is properly connected.

Moving Parts May Cause Injuries



- Keep away from the moving parts.
- Keep all protective devices such as covers, panels, flaps, etc., of machinery and equipment closed and in locked position.
- Wear metal toe shoes against the possibility of heavy objects falling on to your feet.

Smoke And Gases May Be Harmful To Your Health

Long-term inhalation of smokes and gases released from welding and cutting is very dangerous.



- Burning sensations and irritations in the eyes, nose and throat are signs of inadequate ventilation. In such a case, immediately boost the ventilation of the work area, and if the problem persists, stop the welding process completely.
- Create a natural or artificial ventilation system in the work area.
- Use a suitable smoke extraction system where welding and cutting works are being carried out. If necessary, install a system that can expel fumes and gases accumulated in the entire workshop. Use a suitable filtration system to avoid polluting the environment during discharge.
- If you are working in narrow and confined spaces or if you are welding lead, beryllium, cadmium, zinc, coated or painted materials, use masks that provide fresh air in addition to the above precautions.
- If the gas tanks are grouped in a separate zone, ensure that they are well ventilated, keep the main valves closed when gas cylinders are not in use, pay attention to possible gas leaks.
- Shielding gases such as argon are denser than air and can be inhaled instead of air if used in confined spaces. This is dangerous for your health as well.
- Do not perform welding operations in the presence of chlorinated hydrocarbon vapors released during lubrication or painting operations.

Arc Light May Damage Your Eyes And Skin



- Use a suitable protective mask and glass filter (4 to 13 according to EN 379) suitable for that to protect your eyes and face.
- Protect other naked parts of your body (arms, neck, ears, etc.) with suitable protective clothing from these rays.
- Enclose your work area with flame-resistant folding screens and hang warning signs at eye level so that people around you will not sustain injuries from arc rays and hot metals.
- This machine is not used for heating of icebound pipes. This operation performed with the welding machine causes explosion, fire or damage to your installation.

Sparks And Spattering Particles May Get Into Eyes And Cause Damage



- Performing works such as welding, surface grinding, and brushing cause sparks and metal particles to splatter. Wear approved protective work goggles which have edge guards under the welding masks to prevent sustaining possible injuries

Hot Parts May Cause Severe Burns



- Do not touch the hot parts with bare hands.
- Wait until the time required for the machine to cool down before working on its parts.
- If you need to hold hot parts, use suitable tools, welding gloves with high-level thermal insulation and fire-resistant clothes.

Noise May Cause Damage To Your Hearing Ability



- The noise generated by some equipment and operations may damage your hearing ability.
- Wear approved personal ear protective equipment if the noise level is high.

Welding Wires Can Cause Injuries



- Do not point the torch towards any part of the body, other persons, or any metal while unwrapping the welding wire.
- When welding wire is run manually from the roller especially in thin diameters the wire can slip out of your hand, like a spring or can cause damage to you or other people around, therefore you must protect your eyes and face while working on this.

Welding Operations May Cause Fire And Explosion



- Never perform welding work in places near flammable materials. There may be fire or explosions.
- Before starting the welding work, remove these materials from the environment or cover them with protective covers to prevent combustions and flaring.
- National and international special rules apply in these areas.
- Do not apply welding or cutting operations into completely closed tanks or pipes.
- Before welding to tanks and closed containers, open them, completely empty them, clean them and clean them. Pay the greatest attention possible to the welding operations you will perform in such places.
- Do not weld in tanks and pipes which might have previously contained substances that may cause explosions, fires or other reactions.
- Welding equipment heats up. For this reason, do not place it on surfaces that could easily burn or be damaged!
- Welding sparks can cause fire. For this reason, keep materials such as fire extinguishers tubes, water, and sand in easily accessible places.
- Use holding valves, gas regulators and valves on flammable, explosive and compressed gas circuits. Make sure that they are periodically inspected and pay attention that they run reliably.

Maintenance Work Performed By Unauthorized Persons To Machines And Apparatus May Cause Injuries



- Electrical equipment should not be repaired by unauthorized persons. Errors occurred if failed to do so may result in serious injury or death when using the equipment.
- The gas circuit elements operate under pressure; explosions may occur as a result of services provided by unauthorized persons, users may sustain serious injuries.
- It is recommended to perform technical maintenance of the machine and its auxiliary units at least once a year.

Welding In Small Sized And Confined Spaces



- In small-sized and confined spaces, absolutely make sure to perform welding and cutting operations, accompanied by another person.
- Avoid performing welding and cutting operations in such enclosed areas as much as possible.

Failure To Take Precautions During Transport May Cause Accidents



- Take all necessary precautions when moving the machine. The areas where the machine to be transported, parts to be used in transportation and the physical conditions and health of the person carrying out the transportation works should be suitable for the transportation process.
- Some machines are extremely heavy; therefore, make sure that the necessary environmental safety measures are taken when changing their places.
- If the welding machine is to be used on a platform, it must be checked that this platform has suitable load bearing limits.
- If it is to be transported by means of a haulage vehicle (transport trolley, forklift etc.), make sure of the durability of the vehicle, and the connection points (carrying suspenders, straps, bolts, nuts, wheels, etc.) that connect the machine to this vehicle.
- If the machine will be carried manually, make sure the durability of the machine apparatuses (carrying suspenders, straps, etc.) and connections.
- Observe the International Labor Organization's rules on carriage weights and the transport regulations in force in your country in order to ensure the necessary transport conditions.

- Always use handles or carrying rings when relocating the power-supply sources.
- Never pull from torches, cables or hoses. Be absolutely sure to carry gas cylinders separately.
- Remove all interconnections before transporting the welding and cutting equipment, each being separately, lift and transport small ones using its handles, and the big ones from its handling rings or by using appropriate haulage equipment, such as forklifts.

Falling Parts May Cause Injuries



Improper positioning of the power-supply sources or other equipment can cause serious injury to persons and physical damage to other objects.

- Place your machine on the floor and platforms with a maximum tilt of 10° so that it does not fall or tip over. Choose places that do not interfere with the flow of materials, where there is no risk of tripping over on cables and hoses; yet, large, easily ventilatable, dust-free areas. To prevent gas cylinders from tipping over, on machines with a gas platform suitable for the tanks, fix the tanks on to the platform; in stationary usage applications, fix them to the wall with a chain in a way that they would not tip over for sure.
- Allow operators to easily access settings and connections on the machine.

Excessive Use Of The Machine Causes Overheating



- Allow the machine to cool down according to operation cycle rates.
- Reduce the current or operation cycle rate before starting the welding again.
- Do not block the fronts of air vents of the machines.
- Do not put filters that do not have manufacturer approvals into the machine's ventilation ports.

Excessive Use Of The Machine Causes Overheating



- This device is in group 2, class A in EMC tests according to TS EN 55011 standard.
- This class A device is not intended for use in residential areas where electrical power is supplied from a low-voltage power supply. There may be potential difficulties in providing electromagnetic compatibility due to radio frequency interference transmitted and emitted in such places.
- This device is not compliant with IEC 61000 -3-12. In case if it is desired to be connected to the low voltage network used in the home, the installer to make the electrical connection or the person who will use the machine must be aware that the machine has been connected in such a manner; in this case the responsibility belongs to the user.
- Make sure that the work area complies with electromagnetic compatibility (EMC). Electromagnetic interferences during welding or cutting operations may cause undesired effects on your electronic devices and network; and the effects of these interferences that may occur during these operations are under the responsibility of the user.
- If there is any interference, to ensure compliance; extra measures may be taken, such as the use of short cables, use of shielded (armored) cables, transportation of the welding machine to another location, removal of cables from the affected device and/or area, use of filters or taking the work area under protection in terms of EMC.
- To avoid possible EMC damage, make sure to perform your welding operations as far away from your sensitive electronic devices as possible (100m).
- Ensure that your welding and/or cutting machine has been installed and situated in its place according to the user manual.

Evaluation Of Electromagnetic Suitability Of The Work Area



According to article 5.2 of IEC 60974-9;

Before installing the welding and cutting equipment, the person in charge of the operation and/or the user must conduct an inspection of possible electromagnetic interference in the environment. Aspects indicated below has to be taken into consideration;

- a) Other supply cables, control cables, signal and telephone cables, above and below the welding machine and its equipment,
- b) Radio and television transmitters and receivers,
- c) Computer and other control hardware,
- d) Critical safety equipment, e.g. protection of industrial equipment,
- e) Medical apparatus for people in the vicinity, e.g. pacemakers and hearing aids,
- f) Equipment used for measuring or calibration,
- g) Immunity of other equipment in the environment. The user must ensure that the other equipment in use in the environment is compatible. This may require additional protection measures.
- h) Considering the time during which the welding operations or other activities take place during the day, the boundaries of the investigation area can be expanded according to the size of the building, the structure of the building and other activities that are being performed in the building.

In addition to the evaluation of the field, evaluation of device installations may also be necessary for solving the interfering effect.

In case if deemed necessary, on-site measurements can also be used to confirm the efficiency of mitigation measures. (Source: IEC 60974-9).

Electromagnetic Interference Reduction Methods



- The appliance must be connected to the electricity supply in the recommended manner by a competent person. If interference occurs, additional measures may be applied, such as filtering the network. The supply of the fixed-mounted arc welding equipment must be made in a metal tube or with an equivalent shielded cable. The housing of the power supply must be connected and a good electrical contact between these two structures has to be provided.
- The recommended routine maintenance of the appliance must be carried out. All covers on the body of the machine must be closed and/or locked when the device is in use. Any changes, other than the standard settings without the written approval of the manufacturer, cannot be modified on the appliance. Otherwise, the user is responsible for any consequences that may possibly occur.
- Welding cables should be kept as short as possible. They must move along the floor of the work area, in a side by side manner. Welding cables should not be wound in any way.
- A magnetic field is generated on the machine during welding. This may cause the machine to pull metal parts on to itself. To avoid this attraction, make sure that the metal materials are at a safe distance or fixed. The operator must be insulated from all these interconnected metal materials.
- In cases where the workpiece cannot be connected to the ground due to electrical safety, or because of its size and position (for example, in building marine vessel bodies or in steel construction manufacturing), a connection between the workpiece and the grounding may reduce emissions in some cases, it should be kept in mind that grounding of the workpiece may cause users to sustain injuries or other electrical equipment in the environment to break down. In cases where necessary, the workpiece and the grounding connection can be made as a direct connection, but in some countries where direct connection is not permissible, the connection can be established using appropriate capacity elements in accordance with local regulations and ordinances.
- Screening and shielding of other devices and cables in the work area can prevent aliasing effects. Screening of the entire welding area can be evaluated for some specific applications.

Arc Welding May Cause Electromagnetic Field (EMF) The electrical current passing through any conductor generates zonal electric and magnetic fields (EMF). All welders must follow the following procedures to minimize the risk of exposure to EMF from the welding circuit;



- In the name of reducing the magnetic field, the welding cables must be assembled and secured as far as possible with the joining materials (tape, cable ties etc.).
- The welder's/worker's body and head should be kept as far away from the welding machine and cables as possible,
- Welding cables should not be wrapped around the body of the machine in any way,
- The body of the machine should not get caught between the welding cables. The source cables must be kept away from the body of the machine, both being placed side by side,
- The return cable must be connected to the workpiece as close as possible to the welded area,
- The welding machine should not rest against the power unit, enconce on it and not work too close to it,
- Welding work should not be performed when carrying the welding wire supply unit or welding power unit.

EMF may also disrupt the operation of medical implants (materials placed inside the body), such as pacemakers. Protective measures should be taken for people who carry medical implants. For example, access limitation may be imposed for passers-by, or individual risk assessments may be conducted for welders. Risk assessment should be conducted and recommendations should be made by a medical professional for users who carry medical implants.

Protection



- Do not expose the machine to rain, prevent the machine from splashing water or pressurized steam.

Energy Efficiency



- Choose the welding method and welding machine for the welding work you are to perform.
- Select the welding current and/or voltage to match the material and thickness you are going to weld.
- If you have to wait for a long time before you start your welding work, turn off the machine after the fan has cooled it down. Our machines (our products) with smart fan control will turn off on their own.

Waste Procedure



- This device is not domestic waste. It must be directed to recycling within the framework of the European Union directive and national laws.
- Obtain information from your dealer and authorized persons about the waste management of your used machines.



TECHNICAL INFORMATION

1.1 General Information

ID 250 E is an inverter type portable, tri-phase (400VAC 50-60Hz) DC MMA welding machine designed to weld stick electrodes up to 5.0 mm designed regarding for the related phase-notr voltage. Must be used at 3 phase, 4 wire and notr grounded systems. Due to descending characteristics of the inverter technology it provides stable arc and good re-striking performance. Initial striking ability of the electrodes can be improved via Hot Start potentiometer and certain electrodes like basic electrodes which have tendency to short circuit and stick to the weld pool could be avoided by adjusting the Arc Force potentiometer.

It can be used as a Touch-Scratch DC TIG welder if a TIG torch with a valve is connected.

The electric consumption is approximately 10% less than the silicon controlled rectifier equipments and 25% less than the magnetically controlled equipments.

ID 250 E can also be used with long welding cables up to 25 m.

Plus, wireless and cable remote control options are possible.

The machine is fan cooled and thermally protected against over heating.

1.2 Machine Components

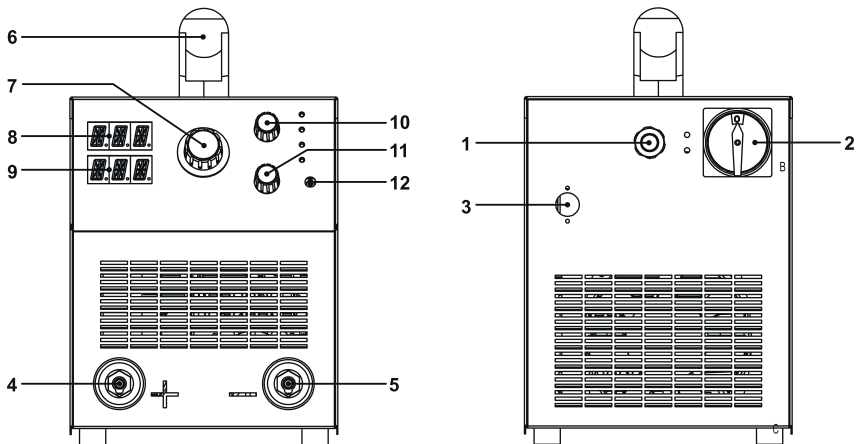


Figure 1: ID 250 E

- | | |
|---|-----------------------------------|
| 1- Mains Cable Inlet | 7- Current Adjustment Knob |
| 2- ON / OFF Switch | 8- Current Display |
| 3- Remote Control Connector Inlet | 9- Voltage Display |
| 4- Earth Cable and Welding Cable Socket (+) | 10- Hot Start Adjustment Knob |
| 5- Earth Cable and Welding Cable Socket (-) | 11- Arc Force Adjustment Knob |
| 6- Handle | 12- Welding Mode Selection Button |

1.3 Product Label

EN

MAGMA MEKATRONİK MAKİNE SAN. VE TİC. A.Ş.																								
Organize Sanayi Bölgesi 5.Kısım Manisa-TÜRKİYE																								
ID 250 E					Seri No:																			
					EN 60974-1 / EN 60974-10																			
5A / 20.2V - 250A / 30V					5A / 10.2V - 250A / 20V																			
$U_o=85V$		I_2		U_2		I_1		S_1		$U_o=85V$		I_2		U_2		I_1		S_1						
35%		250A		30V		18.8A		13kVA		35%		250A		20V		13.8A		9.5kVA						
60%		191A		27.6V		13.4A		9.2kVA		60%		191A		17.6V		9.4A		6.5kVA						
100%		148A		25.9V		10.1A		7kVA		100%		148A		15.9V		6.8A		4.7kVA						
$U_i=400V$					$I_{1max}=18.8A$					$I_{1eff}=11.1A$					$I_{1max}=13.8A$					$I_{1eff}=8.2A$				
IP21S					IP21S					IP21S					IP21S									
CE					CE					CE					CE									

Three Phase Transformer Rectifier

TIG Welding

Descending Characteristic

Direct Current

Manual Metal Arc Welding

Mains Input-3 Phase Alternating Current

Suitable for operation at hazardous environments

X Duty Cycle

U_o Open Circuit Voltage

U_i Line Voltage and Frequency

U_2 Rated Welding Voltage

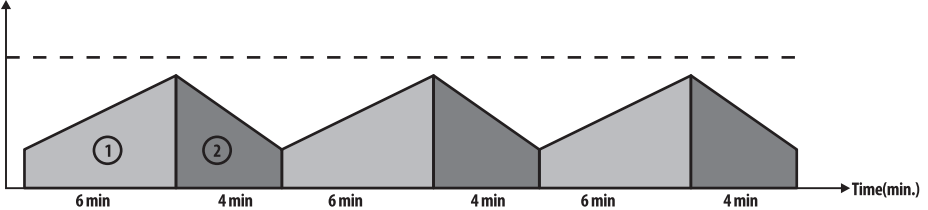
I_1 Input Current

I_2 Rated Welding Current

IP21S Protection Class

S_1 Input Power

Working Cycle
Temperature (°C)



As defined in the standard EN 60974-1, the operating cycle rate includes a time period of 10 minutes. For example, if a machine specified as 250A at %60 is to be operated at 250A, the machine can weld without interruption in the first 6 minutes of the 10 minute period (zone 1). However, the following 4 minutes should be kept idle for the machine cool down (zone 2).

1.4 Technical Data

TECHNICAL DATA	UNIT	VALUE
Line Voltage (3 faz - 50-60 Hz)	V	400
Input Power TIG (%35)	kVA	9,5
Input Power MMA (%35)	kVA	13
Input Current TIG (%35)	A	13,8
Input Current MMA (%35)	A	18,8
Power Factor		0,65
Open Circuit Voltage	VDC	85
Welding Current Range ADC	ADC	5 - 250
Rated Welding Current TIG (%35)	ADC	250
Rated Welding Current MMA (%35)	ADC	250
Protection Class		IP21S
Cooling Method		Air
Dimensions UxGxY	mm	526x250x408
Weight	kg	22
Standarts and Approvals		CE, EN60974-1 EN60974-10

1.5 Accessories

STANDARD ACCESSORIES	QTY	PRODUCT CODE
Electrode Holder and Cable (25mm2-3m)	1	K301000303
Earth Clamp and Cable (25mm2-3m)	1	K301100303
OPTIONAL ACCESSORIES	QTY	PRODUCT CODE
Remote Control 10m	1	790000210
Remote Control 20m	1	790000220
Remote Control 30m	1	790000230
Remote Control 40m	1	790000240
Remote Control 50m	1	790000250

INSTALLATION

2.1 Delivery Control

To unpack your purchased welding machine to comply with the truck transport regulations, first tear the cutter, then cut the ring and lift the machine down the pallet to comply with the truck transport regulations. Make sure you receive your order in full. If any material is missing or damaged, contact your place of purchase immediately.

The standard package includes:

- Main machine and connected mains cable
- Grounding clamps and cable
- Electrode pliers and cable
- Warranty certificate
- User manual

In the case of a damaged delivery, draw up a record, take a picture of the damage and report to the transport company together with a photocopy of the delivery note. If the problem persists, contact the customer service.

Symbols and their meanings on the device;



Welding process is dangerous. Proper working conditions should be ensured and necessary precautions should be taken. Specialists are responsible for the machine and have to be equipped with the necessary equipment. Irrelevant persons should be kept away from the welding area.



This device is not compatible with IEC 61000-3-12. If it is desired to connect to the low voltage mains used in homes, it is essential that the installer or the person who will operate the machine to make the electrical connection has information on the machine's connectivity. In this case the responsibility will be assumed by the person who will perform the installation or by the operator.



The safety symbols and warning notes on the device and in the operating instructions must be observed and the labels must not be removed.



Grids are intended for ventilation. The openings should not be covered in order to provide good cooling and no foreign objects should be inserted.

2.2 Installation And Operation Recommendations

- Necessary precautions should be taken during transportation of the machine. Do not lift the machine with the gas cylinder. Place the power supply on a hard, level and level surface where it will not fall or tip over.
- For better performance, place the machine at least 30 cm away from surrounding objects. Pay attention to overheating, dust and moisture around the machine. Do not operate the machine in direct sunlight. When the ambient temperature exceeds 40°C, operate the machine at a lower current or at a lower cycle rate.
- Avoid welding with wind and rain outdoors. If welding is required in such cases, protect the welding area and the welding machine with curtains and awnings.
- When positioning the machine, make sure that materials such as walls, curtains, panels, etc. do not impede easy access to the controls and connections of the machine.
- If welding inside, use a suitable smoke extraction system. Use breathing apparatus if there is a risk of inhaling welding fumes and gas indoors.
- Observe the duty cycle rates specified on the product label. Frequent exceeding duty cycle rates can damage the machine and void the warranty.
- Use the appropriate fuse for your system.
- Connect the ground wire as close to the welding area as possible. Do not allow welding current to pass through elements other than welding cables, eg the machine itself, the gas cylinder, the chain, the bearing.
- When the gas cylinder is placed on the machine, immediately fasten the chain to secure the gas cylinder. If you do not place the gas cylinder on the machine, fasten it to the wall with a chain.
- The electrical outlet on the back of the machine is for the CO₂ heater. NEVER connect a device other than a CO₂ heater to the CO₂ socket!

2.3 Mains Plug Connection



For your safety, never use the mains cable of the machine without a plug.

- Since mains connection sockets may vary from factory to factory, an appropriate plug must be installed on the builtin mains cable of the machine by qualified electricians. Please observe that the earth cable is in yellow/green colour and labeled as (⊕)
- After installing the electric plug, DO NOT INSERT IT INTO THE SOCKET AT THIS STAGE.

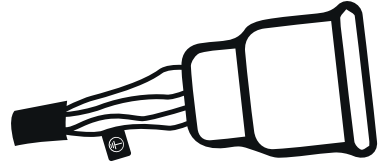


Figure 2: Electric Plug Connection

2.4 Connections For MMA Welding

- According to the polarity of the electrode to be used, insert welding cables into the appropriate outlet (4 and 5) and tighten them by turning clockwise.
- Connect the earth clamp tightly to the workpiece as close as possible to the welding area.

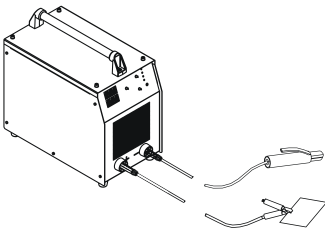


Figure 3: MMA Welding Connections

2.5 Connections For Touch-Scratch TIG Welding

- TIG torch with a valve should be used.
- Connect the TIG torch power cable to the negative outlet (5) and the earth cable to the positive outlet (4) of the machine.
- Install the Argon gas regulator onto the Argon gas cylinder.
- Connect the gaz hose of torch to the gas regulator.

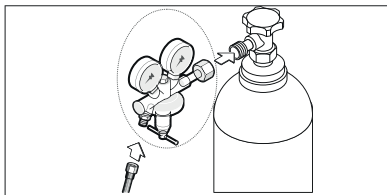


Figure 4: TIG Welding Connections

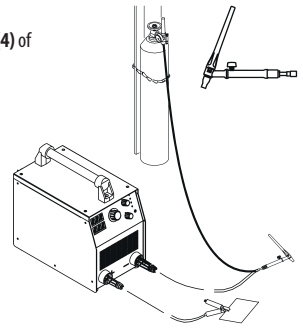


Figure 4: TIG Welding Connections

Diameter of Electrode "mm"	Diameter of Nozzle "mm"	Welding Current "ADC"	Gas Debit "lt/min"
1.0	6.3	15-70	6-8
1.6	9.5	30-150	6-8

2.6 Connecting To The Mains



When inserting the plug into the wall socket, the machine Make sure it is in the "0" position.

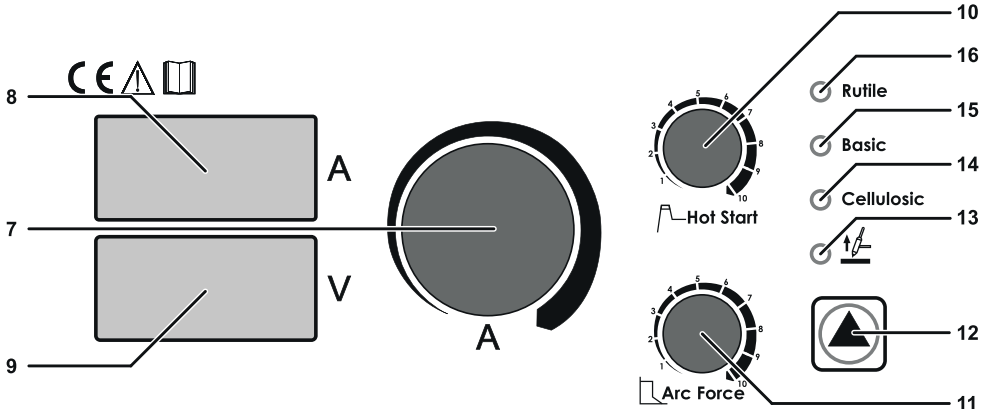
- Check the 3-phase with a voltmeter before connecting the machine to the mains. After detecting that each phase is 400V ($\pm 40V$), plug in the plug.
- Switch on the machine with the On / Off switch.
- Turn off the machine by turning the switch back to the "0" position after hearing the fan noise and seeing the voltmeter and ammeter light on.



Figure 3: Mains Connection

OPERATION

3.1 User Interface



mw magmaweld

ID 250E

7	Current Adjustment Knob Is used for adjusting the welding current a range of 5-250A.
8	Current Display Displays the welding current during welding, displays the adjusted current when the machine doesn't weld.
9	Voltage Display Displays the open circuit voltage and the welding voltage during welding.
10	Hot Start Adjustment Knob Is used for a better ignition in stick electrode welding.
11	Arc Force Adjustment Knob Is used for reducing the electrode's tendency to stick into the weld pool during welding.
12	Welding Mode Selection Button Is used for selecting either stick electrode welding mode or touch-scratch TIG welding mode.
13	Touch-Scratch TIG Welding LED Light when touch-scratch TIG welding mode is selected.
14	Cellulosiz Electrode Welding LED Light when cellulosiz electrode welding mode is selected.
15	Basic Electrode Welding LED Light when basic electrode welding mode is selected.
16	Rutile Electrode Welding LED Light when rutile electrode welding mode is selected.

3.2 MMA Welding

- Push the welding mode selection button **(10)** for selecting the stick electrode welding mode. Stick electrode welding LED **(13)** lights.
- Adjust the current via current adjustment knob **(7)**.
- Below table can be used as a rough reference for mild steel electrodes. For exact parameters, please refer to the electrode manufacturer's recommendations.

Type Diameter	Rutile	Basic	Cellulosic
2.0	40-60 A	-	-
2.5	60-90 A	60-90 A	60-100 A
3.25	100-140 A	100-130 A	70-130 A
4.0	140-180 A	140-180 A	120-170 A
5.0	200-240 A	200-250 A	160-200 A
6.0	260-300 A	-	-

- For better ignition turn the HOT START knob **(11)** clock-wise. Welding arc can drill the metal when it is very thin and hot start is high.
- ARC FORCE is useful for electrodes which have tendency the knob **(12)** clock-wise will decrease the tendency to stick. If ARC FORCE is adjusted too high, spatter increases.
- Start welding. You can observe welding current **(A)** and voltage **(V)** by current display **(8)** and voltage display **(9)**.

3.3 Touch-Scratch TIG Welding

- Push the welding mode selection button **(10)** for selecting Touch-Scratch TIG welding mode. Touch-Scratch welding LED **(14)** lights.
- Adjust the current via current adjustment knob **(7)**.
- Start welding. You can observe welding current **(A)** and voltage **(V)** by current display **(8)** and voltage display **(9)**.

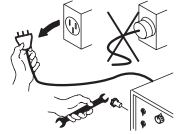
3.4 Remote Control (Optional)

- It is possible to connect wireless or cable remote control unit. In this case, appropriate control socket must be installed onto the back cover by a certified Magma Service.
- When the remote control connector is connected to the machine, ampere adjustment knob on the machine is disabled automatically and current adjustment is made by the remote control.



MAINTENANCE AND SERVICE

- Strictly follow the instructions contained in safety rules while servicing the machine.
- Before removing any screw on the machine for maintenance, power supply must be disconnected from the electric lines and enough time should be allowed for capacitor discharging.

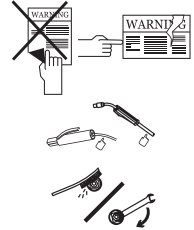


4.1. Maintenance



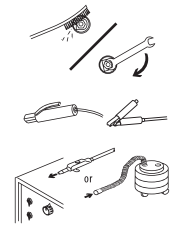
Every 3 Months

- Do not remove the warning labels on the device. Replace the worn/torn labels with the new ones. Labels can be obtained from the authorized service.
- Check your clamps and cables. Pay attention to the connections and the durability of the parts. Replace the damaged/defective parts with the new ones. Do not ever make additions to/repair the cables.



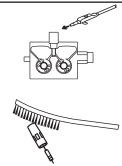
Every 6 Months

- Clean and tighten fasteners such as bolts and nuts.
- Check the electrode clamp and grounding clamp cables.
- Open the side covers of the machine and clean with low pressure dry air. Do not apply compressed air to electronic components at close distance



4.2 Non-Periodic Maintenance

- The Wire Feeding Mechanism must be kept clean and the roller surfaces must not be lubricated.
- Always remove any deposits on the mechanism with dry air each time you replace a welding wire.
- The consumables on the torch should be cleaned regularly. It should be replaced if necessary. Make sure that these materials are original products for long-term use.



NOTE: The above mentioned periods are the maximum ones that should be applied if no problems are encountered in your device. Depending on the work load and contamination of your work environment, you can repeat the above processes more frequently.



Never weld with the covers of the welder open.

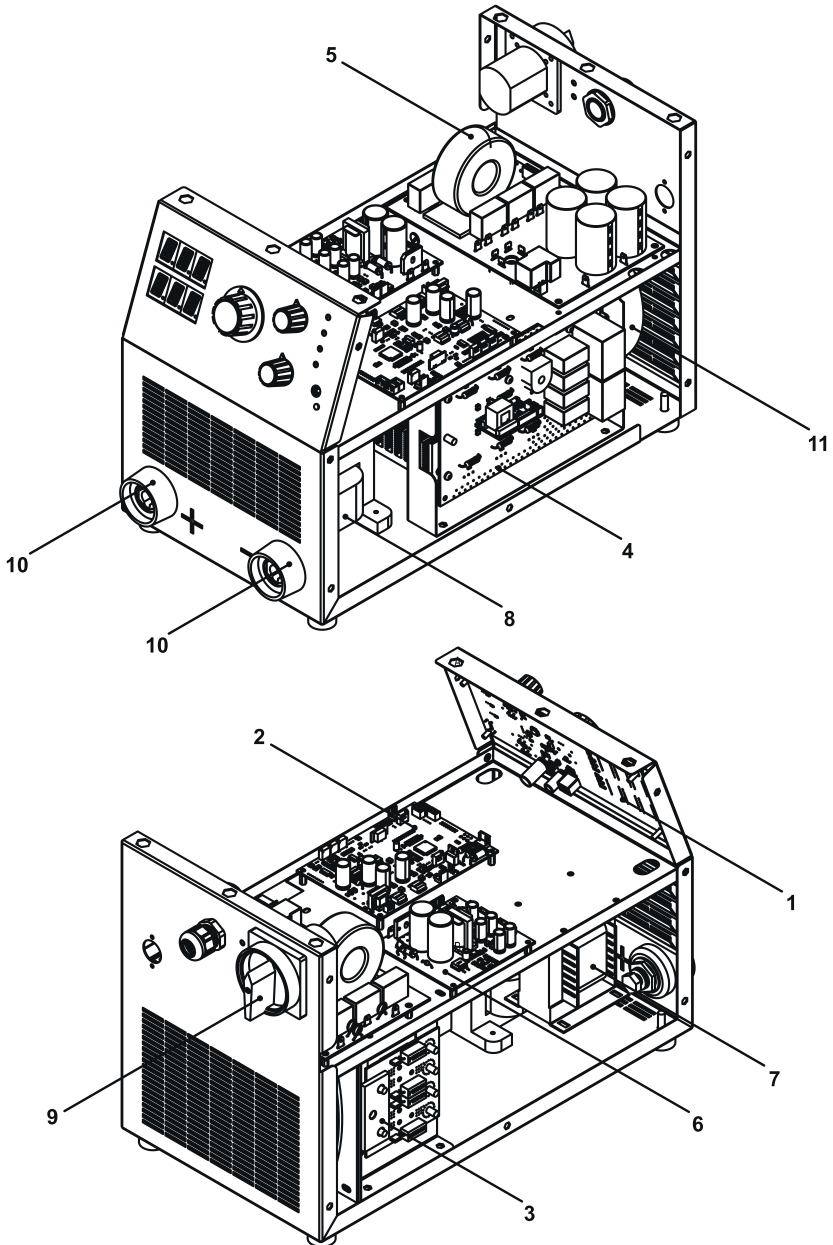
4.2 Error Codes

It gives an error message when the mains voltage is wrong or thermal. If you do not want the welding performance to be affected during installation, the parameters such as wire diameter, torch, consumables used in the torch, wire type, wire diameter and gas type should be considered.

Error Code	Error	Reason	Solution
ERR-T1	Thermal Error	<ul style="list-style-type: none"> Machine is overheated because of high ambient temperature of exceeding duty cycle. 	<ul style="list-style-type: none"> Let the machine on for a while in order to cool down itself with the cooling fan. After it cools enough, you can go on welding.
E2	Power Module Error	<ul style="list-style-type: none"> Error/Errors may exist in any electronic card. 	<ul style="list-style-type: none"> Switch off and switch on. If the error still exists, check the mains voltage whether it is within the range of 340V-420V or not. If the error still exists, contact the authorized service.
E4	Electronic Card or Mains Voltage High	<ul style="list-style-type: none"> Electronic card or mains voltage there may be a rise. 	<ul style="list-style-type: none"> Check the electronic card and mains voltage. If the voltages are normal, contact the authorized service.
E8	Electronic Card or Mains Voltage Low	<ul style="list-style-type: none"> Electronic card or network voltage drop can. 	<ul style="list-style-type: none"> Check the electronic card and mains voltage. If the voltages are normal, contact the authorized service.
E16	Low Mains Voltage	<ul style="list-style-type: none"> There may be a drop in mains voltage. 	<ul style="list-style-type: none"> Check the mains voltage. If the mains voltage is normal, contact the authorized service.
E32	High Mains Voltage	<ul style="list-style-type: none"> There may be an increase in mains voltage. 	<ul style="list-style-type: none"> Check the mains voltage. If the mains voltage is normal, contact the authorized service.



ANNEX 1 - SPARE PARTS

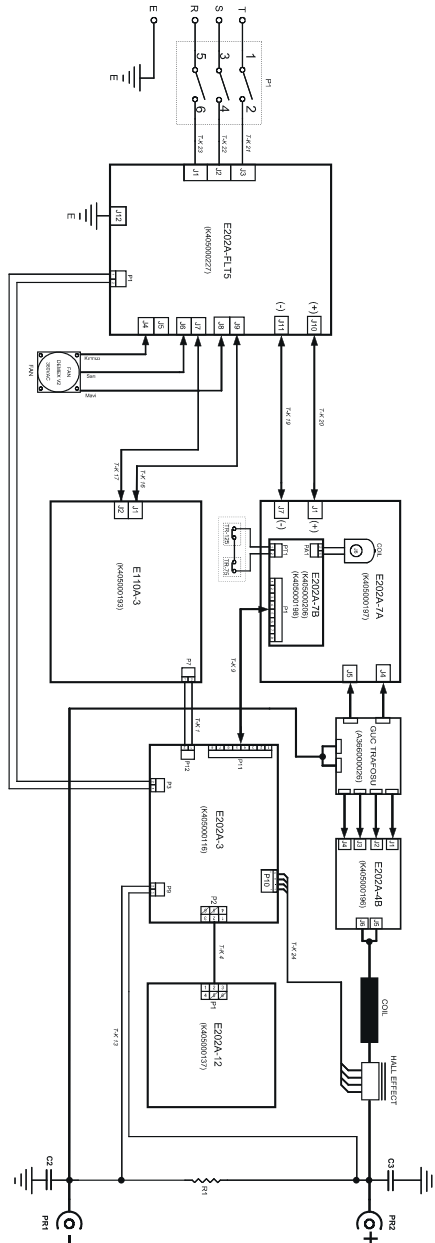


**ANNEX 2 - SPARE PARTS LIST**

EN

NO	DEFINITION	MATERIAL CODE
1	Elektronic Card E202A-12	K405000137
2	Elektronic Card E202A-3	K405000151
3	Elektronic Card E202A-4B	K405000196
4	Elektronic Card E202A-7A 250E	K405000246
5	Elektronic Card E202A-FLT5PFC	K405000227
6	Elektronic Card E110A-3	K405000193
7	Choke Coil	K304500114
8	Power Transformer	A366000026
9	Changeover Switch	A308030004
10	Welding Socket	A377900106
11	Fan	A250200018
	Hall Effect Sensör	A830900004
	Termostat	A314800106

EN **ANNEX 3 - ELECTRICAL DIAGRAM**



 İÇİNDEKİLER

	GÜVENLİK KURALLARI	24
1	TEKNİK BİLGİLER	30
1.1	Genel Açıklamalar	30
1.2	Makine Bileşenleri	30
1.3	Ürün Etiketi	31
1.4	Teknik Özellikler	32
1.5	Aksesuarlar	32
2	KURULUM BİLGİLERİ	33
2.1	Teslim Alırken Dikkat Edilecek Hususlar	33
2.2	Kurulum ve Çalışma Tavsiyeleri	33
2.3	Elektrik Fişi Bağlantısı	34
2.4	Örtülü Elektrod Kaynağı İçin Bağlantılar	34
2.5	Temaslı TIG Kaynağı İçin Bağlantılar	34
2.6	Şebekeye Bağlama	35
3	KULLANIM BİLGİLERİ	36
3.1	Kontrol Paneli	36
3.2	Örtülü Elektrod Kaynağı	37
3.3	Temaslı TIG Kaynağı	37
3.4	Uzaktan Kumanda (Opsiyonel)	37
4	BAKIM VE ARIZA BİLGİLERİ	38
4.1	Bakım	39
4.2	Periyodik Olmayan Bakımlar	39
4.3	Hata Kodları	39
5	EK 1 - YEDEK PARÇALARI	40
6	EK 2 - YEDEK PARÇA LİSTESİ	41
7	EK 3 - DEVRE ŞEMASI	42

✓ GÜVENLİK KURALLARI

TR Kılavuzda Yer Alan Tüm Güvenlik Kurallarına Uyun!

Güvenlik Bilgilerinin Tanımlanması



- Kılavuzda yer alan güvenlik sembolleri potansiyel tehlikelerin tanımlanmasında kullanılır.
- Bu kılavuzda herhangi bir güvenlik sembolü görüldüğünde, bir yaralanma riski olduğu anlaşılmalı ve takip eden açıklamalar dikkatlice okunarak olası tehlikeler engellenmelidir.
- Makine sahibi, yetkisiz kişilerin ekipmana erişmesini engellemekten sorumludur.
- Makineyi kullanan kişiler kaynak konusunda deneyimli veya tam eğitilmiş kişiler olup; çalışma öncesinde kullanma kılavuzunu okumalı ve güvenlik uyarılarına uymalıdır.

Güvenlik Sembollerinin Tanımlanması



DİKKAT

Yaralanma ya da hasara neden olabilecek potansiyel tehlikeli bir durumu belirtir. Önlem alınmaması durumunda yaralanmalara veya maddi kayıplara/hasarlara neden olabilir.



ÖNEMLİ

Kullanıma yönelik bilgilendirmeleri ve uyarıları belirtir.



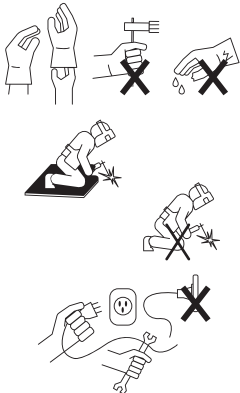
TEHLİKE

Ciddi tehlike olduğunu gösterir. Kaçınılması durumunda ölüm veya ağır yaralanmalar meydana gelebilir.

Güvenlik Uyarılarının Kavranması

- Kullanım kılavuzunu, makine üzerindeki etiket ve güvenlik uyarılarını dikkatli bir şekilde okuyunuz.
- Makine üzerindeki uyarı etiketlerinin iyi durumda olduğundan emin olunuz. Eksik ve hasarlı etiketleri değiştiriniz.
- Makinenin nasıl çalıştırıldığını, kontrollerinin doğru bir şekilde nasıl yapılacağını öğreniniz.
- Makinenizi uygun çalışma ortamlarında kullanınız.
- Makinenizde yapılabilecek uygunsuz değişiklikler makinenizin güvenli çalışmasına ve kullanım ömrüne olumsuz etki eder.
- Cihazın belirtilen koşullar dışında çalıştırılmasından doğan sonuçlardan üretici sorumlu değildir.

Elektrik Çarpmaları Öldürebilir



Kurulum prosedürlerinin ulusal elektrik standartlarına ve diğer ilgili yönetmeliklere uygun olduğundan emin olun ve makinenin yetkili kişiler tarafından kurulmasını sağlayın.

- Kuru ve sağlam izolasyonlu eldiven ve iş önlüğü giyin. Islak ya da hasar görmüş eldiven ve iş önlüklerini kesinlikle kullanmayın.
- Elektroda çıplak elle dokunmayın.
- Elektrik taşıyan parçalara kesinlikle dokunmayın.
- Eğer çalışma yüzeyine, zemine ya da başka bir makineye bağlı elektrodla temas halindeyseniz kesinlikle elektroda dokunmayın.
- Çalışma yüzeyinden ve zeminden kendinizi izole ederek olası muhtemel elektrik şoklarından koruna bilirsiniz. Çalışma yüzeyiyle operatörün temasını kesecek kadar büyük, yanmaz, elektriksiz açdan yalıtkan, kuru ve hasarsız izolasyon malzemesi kullanın.
- Elektrot pensesine birden fazla elektrot bağlamayın.
- Makineyi kullanmadığınız durumlarda kapalı tutun.
- Makineyi tamir etmeden önce tüm güç bağlantılarını ve/veya bağlantı fişlerini çıkartın ya da makineyi kapatın.
- Uzun şebeke kablosu kullanırken dikkatli olun.
- Tüm kabloları olası hasarlara karşı sık sık kontrol edin. Hasarlı ya da izolasyonsuz bir kablo tespit edildiğinde derhal tamir edin veya değiştirin.
- Elektrik hattının topraklanmasının doğru yapıldığından emin olun.

Hareketli Parçalar Yaralanmalara Yol Açabilir

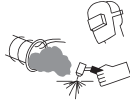


- Hareket halinde olan nesnelere uzak durun.
- Makine ve cihazlara ait tüm kapak, panel, kapı, vb. koruyucuları kapalı ve kilitleli tutun.
- Ağır cisimlerin düşme olasılığına karşı metal burunlu ayakkabı giyin.

Duman ve Gazlar Sağlığınız İçin Zararlı Olabilir



Kaynak ve kesme işlemi yapılırken çıkan duman ve gazın uzun süre solunması çok tehlikelidir.



- Gözlerde, burunda ve boğazda meydana gelen yanma hissi ve tahrişler, yetersiz havalandırmanın belirtileridir. Böyle bir durumda derhal havalandırmaı arttırın, sorunun devam etmesi halinde kaynak işlemini durdurun.
- Çalışma alanında doğal ya da suni bir havalandırma sistemi oluşturun.
- Kaynak ve kesme işlemi yapılan yerlerde uygun bir duman emme sistemi kullanın. Gerekirse tüm atölyede biriken duman ve gazları dışarıya atabilecek bir sistem kurun. Deşarj esnasında çevreyi kirletmemek için uygun bir filtrasyon sistemi kullanın.
- Dar ve kapalı alanlarda çalışıyorsanız veya kurşun, berilyum, kadmiyum, çinko, kaplı ya da boyalı malzemelerin kaynağını yapıyorsanız, yukarıdaki önlemlere ilave olarak temiz hava sağlayan maske-ler kullanın.
- Gaz tüpleri ayrı bir bölgede gruplandırılmışsa buraların iyi havalandırmasını sağlayın, gaz tüpleri kullanımında değilken ana vanalarını kapalı tutun, gaz kaçaklarına dikkat edin.
- Argon gibi koruyucu gazlar havadan daha yoğun ve kapalı alanlarda kullanıldıkları takdirde havanın yerine solunabilirler. Bu da sağlığınız için tehlikelidir.
- Kaynak işlemlerini yağlama veya boyama işlemlerinde açığa çıkan klorlu hidrokarbon buharlarının olduğu ortamlarda yapmayın.

Ark Işığı Gözlerinize ve Cildinize Zarar Verebilir



- Gözlerinizi ve yüzünüzü korumak için uygun koruyucu maske ile ona uygun (EN 379'a göre 4 ila13) cam filtre kullanın.
- Vücudunuzun diğer çıplak kalan yerlerini (kollar, boyun, kulaklar, vb) uygun koruyucu giysilerle bu işinlerden koruyun.
- Çevrenizdeki kişilerin ark ışınlarından ve sıcak metallere zarar görmemeleri için çalışma alanınızı göz hizasından yüksek, alev dayanıklı paravanlarla çevirin ve uyan levhaları asın.
- Buz tutmuş boruların ısıtılmasında kullanılmaz. Kaynak makinesiyle yapılan bu işlem tesisatınızda patlama, yangın veya hasara neden olur.

Kıvılcıklar ve Sıçrayan Parçalar Gözlerinizi Yaralayabilir



- Kaynak yapmak, yüzey taşlamak, fırçalamak gibi işlemler kıvılcıklarla ve metal parçacıklarının sıçramasına neden olur. Oluşabilecek yaralanmaları önlemek için kaynak maskesinin altına, kenar korumalıkları olan onaylanmış koruyucu iş gözlükleri takın.

Sıcak Parçalar Ağır Yanıklara Neden Olabilir



- Sıcak parçalara çıplak el ile dokunmayın.
- Makinenin parçaları üzerinde çalışmadan önce soğumaları için gerekli sürenin geçmesini bekleyin.
- Sıcak parçaları tutmanız gerektiğinde, uygun alet, ısı izolasyonu yüksek kaynak eldiveni ve yanmaz giysiler kullanın.

Gürültü, Duyma Yeteneğinize Zarar Verebilir



- Bazı ekipman ve işlemlerin oluşturacağı gürültü, duyma yeteneğinize zarar verebilir.
- Eğer gürültü seviyesi yüksek ise onaylanmış kulak koruyucularını takın.

Kaynak Teli Yaralanmalara

- Kaynak teli sargısını boşaltırken torcu vücudun herhangi bir bölümüne, diğer kişilere ya da herhangi bir metale doğru tutmayın.
- Kaynak telini makaradan elle açarken -özellikle ince çaplarda - tel, bir yay gibi elinizden fırlayabilir, size veya çevrenizdeki diğer kişilere zarar verebilir, bu işlemi yaparken özellikle gözlerinizi ve yüzünüzü koruyun.

Kaynak İşlemi Yangınlara ve Patlamalara Yol Açabilir

- Yanıcı maddelere yakın yerlerde kesinlikle kaynak yapmayın. Yangın çıkabilir veya patlamalar olabilir.
- Kaynak işlemine başlamadan önce bu maddeleri ortamdaki uzaklaştırın veya yanmalarını ve harlamalarını önlemek için koruyucu örtülerle üstlerinizi örtün.
- Bu alanlarda ulusal ve uluslararası özel kurallar geçerlidir.
- Tamamen kapalı tüplere ya da borulara kaynak ve kesme işlemi uygulamayın.
- Tüp ve kapalı konteynerlere kaynak yapmadan önce bunları açın, tamamıyla boşaltıp, havalandırıp temizleyin. Bu tip yerlerde yapacağınız kaynak işlemlerinde mümkün olan en büyük dikkati gösterin.
- İçinde daha önce, patlama, yangın ya da diğer tepkimelere neden olabilecek maddeler bulunan tüp ve borulara boş dahi olsalar kaynak yapmayın.
- Kaynak ekipmanları ısınır. Bu nedenle kolay yanabilecek veya hasar görebilecek yüzeylerin üzerine yerleştirmeyin!
- Kaynak kıvılcımları yangına sebep olabilir. Bu nedenle yangın söndürücü tüp, su, kum gibi malzemeleri kolay ulaşabileceğiniz yerlerde bulundurun.
- Yanıcı, patlayıcı ve basınçlı gaz devreleri üzerinde geri tepme ventilleri, gaz regülatörleri ve vanalarını kullanın. Bunların periyodik kontrollerinin yapılıp sağlıklı çalışmasına dikkat edin.

Makine ve Aparatlara Yetkisiz Kişiler Tarafından Bakım Yapılması Yaralanmalara Neden Olabilir

- Elektrikli cihazlar yetkisiz kişilere tamir ettirilmemelidir. Burada yapılabilecek hatalar kullanımda ciddi yaralanmalara veya ölümlere neden olabilir.
- Gaz devresi elemanları basınç altında çalışmaktadır; yetkisiz kişiler tarafından verilen servisler sonucunda patlamalar olabilir, kullanıcılar ciddi şekilde yaralanabilir.
- Makinenin ve yan biriminin her yıl en az bir kez teknik bakımının yaptırılması tavsiye edilir.

Küçük Hacimli Kapalı Alanlarda Kaynak

- Küçük hacimli ve kapalı alanlarda mutlaka bir başka kişi eşliğinde kaynak ve kesme işlemlerini yapın.
- Mümkün olduğu kadar bu tarz kapalı yerlerde kaynak ve kesme işlemleri yapmaktan kaçının.

Taşıma Esnasında Gerekli Önlemlerin Alınmaması Kazalara Neden Olabilir

- Makinenin taşınmasında gerekli tüm önlemleri alın. Taşıma yapılacak alanlar, taşımada kullanılacak parçalar ile taşımayı gerçekleştirecek kişinin fiziki koşulları ve sağlığı taşıma işlemine uygun olmalıdır.
- Bazı makineler son derece ağırdır, bu nedenle yerleri değiştirirken gerekli çevresel güvenlik önlemlerinin alındığından emin olunmalıdır.
- Kaynak makinesi bir platform üzerinden kullanılacaksa, bu platformun uygun yük taşıma sınırlarına sahip olduğu kontrol edilmelidir.
- Bir vasıta yardımı ile (taşıma arabası, forklift vb.) taşınacak ise vasıtanın ve makineyi vasıtaya bağlayan bağlantı noktalarının (taşıma askısı, kayış, cıvata, somun, tekerlek vb.) sağlamlığından emin olunuz.
- Elle taşıma işlemi gerçekleştirilecek ise Makine aparatlarının(taşıma askısı, kayış vb.) ve bağlantılarının sağlamlığından emin olunuz.

- Gerekli taşıma koşullarının sağlanması için Uluslararası Çalışma Örgütü'nün taşıma ağırlığı ile ilgili kurallarını ve ülkenizde var olan taşıma yönetmeliklerini göz önünde bulundurunuz.
- Güç kaynağının yerini değiştirirken her zaman tutamakları veya taşıma halkalarını kullanın. Asla torç, kablo veya hortumlardan çekmeyin. Gaz tüplerini mutlaka ayrı taşıyın.
- Kaynak ve kesme ekipmanlarını taşımadan önce tüm ara bağlantılarını sökün, ayrı ayrı olmak üzere, küçük olanları saplarından, büyükleri ise taşıma halkalarından ya da forklift gibi uygun kaldırma ekipmanları kullanarak kaldırın ve taşıyın.

Düşen Parçalar Yaralanmalara Sebep Olabilir



Güç kaynağının ya da diğer ekipmanların doğru konumlandırılmaması, kişilerde ciddi yaralanmalara ve diğer nesnelere de maddi hasara neden olabilir.

- Makinenizi düşmeyecek ve devrilmeyecek şekilde maksimum 10° eğime sahip zemin ve platformlara yerleştirin. Malzeme akışına engel olmayacak, kablo ve hortumları takılma riskinin oluşmayacağı, hareketsiz; ancak geniş, rahat havalandırılabilir, tozsuz alanları tercih edin. Gaz tüplerinin devrilmesi için tüpe uygun gaz platformu bulunan makinelerde platformun üzerine, sabit kullanımlarda ise devrilmeyecek şekilde zincirle duvara sabitleyin.
- Operatörlerin makine üzerindeki ayarlara ve bağlantılara kolayca ulaşmasını sağlayın.

Aşırı Kullanım Makinenin Aşırı Isınmasına Neden Olur



- Çalışma çevrimi oranlarına göre makinenin soğumasına müsaade edin.
- Akımı veya çalışma çevrimi oranını tekrar kaynağa başlamadan önce düşürün.
- Makinenin havalandırma girişlerinin önünü kapamayın.
- Makinenin havalandırma girişlerine, üretici onayı olmadan filtre koymayın.

Ark Kaynağı Elektromanyetik Parazitlere Neden Olabilir



- Bu cihaz TS EN 55011 standardına göre EMC testlerinde grup 2, class A dir.
- Bu class A cihaz elektriksel gücün alçak gerilim şebekeden sağlandığı meskun mahallerde kullanım amacıyla üretilmemiştir. Bu gibi yerlerde iletilen ve yayılan radyo frekans parazitlerinden dolayı elektromanyetik uyumluluğu sağlamakla ilgili muhtemel zorluklar olabilir.



Bu cihaz IEC 61000 -3 - 12 uyumlu değildir. Evlerde kullanılan alçak gerilim şebekesine bağlanmak istenmesi durumunda, elektrik bağlantısını yapacak tesisatçının veya makineyi kullanacak kişinin, makinenin bağlanabilirliği konusunda bilgi sahibi olması gereklidir, bu durumda sorumluluk kullanıcıya aittir.

- Çalışma bölgesinin elektromanyetik uyumluluğa (EMC) uygun olduğundan emin olun. Kaynak veya kesme işlemi esnasında oluşabilecek elektromanyetik parazitler, elektronik cihazlarımızdan ve şebekeden istenmeyen etkilere neden olabilir. İşlem sırasında oluşabilecek bu parazitlerin neden olabileceği etkiler kullanıcının sorumluluğu altındadır.
- Eğer herhangi bir parazit oluşuyorsa, uygunluğu sağlamak için; kısa kablo kullanımı, korumalı (zırlı) kablo kullanımı, kaynak makinesinin başka bir yere taşınması, kabloların etkilenen cihaz ve/veya bölgeden uzaklaştırılması, filtre kullanımı veya çalışma alanının EMC açısından korunmaya alınması gibi ekstra önlemler alınabilir.
- Olası EMC hasarlarını engellemek için kaynak işlemlerinizi hassas elektronik cihazlarınızdan mümkün olduğunca uzakta (100m) gerçekleştirin.
- Kaynak kesme makinenizin kullanma kılavuzuna uygun şekilde kurulup yerleştirildiğinden emin olun.

**Çalışma Alanının
Elektromanyetik Uygunluğunun
Değerlendirilmesi**



IEC 60974-9 madde 5.2'ye göre;

Kaynak ve Kesme donanımı tesis etmeden önce, işletme yetkilisi ve/veya kullanıcı, çevredeki olası elektromanyetik

parazitler hakkında bir inceleme yapmalıdır. Aşağıda belirtilen haller göz önünde bulundurulmalıdır;

- a)** Kaynak makinesi ve donanımının üstünde, altında ve yanındaki diğer besleme kabloları, kontrol kabloları, sinyal ve telefon kabloları,
- b)** Radyo ve televizyon vericileri ve alıcıları,
- c)** Bilgisayar ve diğer kontrol donanımı,
- d)** Kritik güvenlik donanımı, örneğin endüstriyel donanımın korunması,
- e)** Çevredeki insanların tıbbi aparatları, örneğin kalp pilleri ve işitme cihazları,
- f)** Ölçme veya kalibrasyon için kullanılan donanım,
- g)** Ortamdaki diğer donanımın bağımsızlığı. Kullanıcı, çevrede kullanılmakta olan diğer donanımın uyumlu olmasını sağlamalıdır. Bu, ilave koruma önlemleri gerektirebilir,
- h)** Kaynak işleminin ya da diğer faaliyetlerin gün içindeki gerçekleştirileceği zaman, göz önüne alınarak çevrenin büyüklüğü, binanın yapısına ve binada yapılmakta olan diğer faaliyetlere göre inceleme alanı sınırları genişletilebilir.

Alanın değerlendirilmesine ek olarak cihaz kurulumlarının değerlendirilmesi de bozucu etkinin çözümü için gerekli olabilir.

Gerek görülmesi durumunda, yerinde ölçümler azaltıcı önlemlerin verimliliklerini onaylamak için de kullanılabilir.

(Kaynak: IEC 60974-9).

**Parazit Azaltma
Yöntemleri**



- Cihaz tavsiye edilen şekilde ve yetkili bir kişi tarafından elektrik şebekesine bağlanmalıdır. Eğer parazit oluşursa şebekenin filtrelenmesi gibi ek önlemler uygulanabilir. Sabit montajlı ark kaynağı ekipmanının beslemesi metal bir boru içerisinden veya eşdeğer ekranlı bir kablo ile yapılmalıdır. Ekran ile güç kaynağının mahfazası bağlı olmalı ve bu iki yapı arasında iyi bir elektriksel temas sağlanmalıdır.
- Cihazın tavsiye edilen rutin bakımları yapılmalıdır. Cihaz kullanımdayken, kaportanın tüm kapakları kapalı ve/veya kilitli olmalıdır. Cihaz üzerinde üreticinin yazılı onayı olmadan standart ayarları dışında herhangi bir değişiklik, modifikasyon kesinlikle yapılamaz. Aksi durumda oluşabilecek her türlü sonuçtan kullanıcı sorumludur.
- Kaynak kabloları mümkün olduğunca kısa tutulmalıdır. Çalışma alanının zemininden yanyana olacak şekilde ilerletmelidirler. Kaynak kabloları hiçbir şekilde sarılmamalıdır.
- Kaynak esnasında makinede manyetik alan oluşmaktadır. Bu durum makinenin metal parçaları kendi üzerine çekmeye sebebiyet verebilir. Bu çekimi engellemek adına metal malzemelerin güvenli mesafede veya sabitlenmiş olduğundan emin olunuz. Operatör, bütün bu birbirine bağlanmış metal malzemelerden yalıtılmalıdır.
- İş parçasının elektriksel güvenlik amacıyla veya boyutu ve pozisyonu sebebiyle toprağa bağlanmadığı durumlarda (örneğin gemi gövdesi veya çelik konstrüksiyon imalatı) iş parçası ile toprak arasında yapılacak bir bağlantı bazı durumlarda emisyonları düşürebilir. İş parçasının topraklanmasının kullanıcıların yaralanmasına veya ortamdaki diğer elektrikli ekipmanların arıza yapmasına neden olabileceği unutulmamalıdır. Gerekli hallerde iş parçası ile toprak bağlantısı doğrudan bağlantı şeklinde yapılabilir fakat doğrudan bağlantıya izin verilemeyen bazı ülkelerde bağlantı yerel düzenleme ve yönetmeliklere uygun olarak, uygun kapasite elemanları kullanılarak oluşturulabilir.
- Çalışma alanındaki diğer cihazların ve kabloların ekranlanması ve muhafazası bozucu etkilerin önüne geçilmesini sağlayabilir. Kaynak bölgesinin tamamının ekranlanması bazı özel uygulamalar için değerlendirilebilir.

Ark Kaynağı
Elektronmanyetik
Alana (EMF) Neden Olabilir



Herhangi bir iletken üzerinden geçen elektrik akımı, bölgesel elektrik ve manyetik alanlar (EMF) oluşturur.

Bütün kaynakçılar, kaynak devresinden gelen EMF'ye maruz kalmanın sebep olduğu riski en aza indirmek için aşağıdaki prosedürleri uygulamalıdır;

- Manyetik alanı azaltmak adına kaynak kabloları bir araya getirilmeli, mümkün olduğunca birleştirici malzemelerle (bant,kablo bağı vb.) emniyet altına alınmalıdır.
- Kaynakçının/çalışanın gövdesi ve başı, kaynak makine ve kablolarından mümkün olduğunca uzakta tutulmalıdır,
- Kaynak kabloları vücudun etrafına hiçbir şekilde sarılmamalıdır,
- Vücut, kaynak kablolarının arasında kalmamalıdır. Kaynak kablolarının her ikisi yan yana olmak üzere vücudun uzağında tutulmalıdır,
- Dönüş kablosu iş parçasına, kaynak yapılan bölgeye mümkün olduğunca yakın bir şekilde bağlanmalıdır,
- Kaynak güç ünitesine yaslanmamalı, üzerine oturmamalı ve çok yakınında çalışılmamalıdır,
- Kaynak teli besleme birimi veya kaynak güç ünitesini taşıyarak kaynak yapılmamalıdır.

EMF ayrıca, kalp pilleri gibi tıbbi implantların (vücut içine yerleştirilen madde) çalışmasını bozabilir.

Tıbbi implantları olan kişiler için koruyucu önlemler alınmalıdır. Örneğin, yoldan geçenler için erişim sınırlaması koyulabilir veya kaynakçılar için bireysel risk değerlendirmeleri yapılabilir. Bir tıp uzmanı tarafından, tıbbi implantları olan kullanıcılar için risk değerlendirmesi yapıp, öneride bulunulmalıdır.

Koruma



- Makineyi yağmura maruz bırakmayın, üzerine su sıçramasına veya basınçlı buhar gelmesine engel olun.

Enerji Verimliliği



- Yapacağınız kaynağa uygun kaynak yöntemi ve kaynak makinesi tercihinde bulunun.
- Kaynak yapacağınız malzemeye ve kalınlığına uygun kaynak akımı ve/veya gerilimi seçin.
- Kaynak yapmadan uzun süre beklenilecekse, fan makineyi soğuttuktan sonra makineyi kapatın. Akıllı fan kontrolü olan makinelerimiz (ürünlerimiz) kendi kendine duracaktır.

Atık Prosedürü



- Bu cihaz evsel atık değildir. Avrupa Birliği direktifi ile ulusal yasa çerçevesinde geri dönüşüme yönlendirilmek zorundadır.
- Kullanılmış makinenizin atık yönetimi hakkında satıcınızdan ve yetkili kişilerden bilgi edinin.



TEKNİK BİLGİLER

TR

1.1 Genel Açıklamalar

ID 250 E, 3 faz 400 VAC 50-60 Hz gerilimi ile çalışan, doğru akım çıkışlı, kolay taşınabilir, trifaze invertör teknolojisi ile üretilmiş, 5,0 mm ye kadar örtülü elektrod yakabilen bir kaynak makinesidir. Invertör teknolojisinin düşük kaynak karakteristiği ile optimizasyonu neticesinde, kararlı ark ve iyi bir yeniden tutuşma performansı vermektedir. Faz-nötr gerilim değerlerine uygun yalıtım aralıkları baz alınarak tasarlanmıştır. 3 faz, 4 telli ve nötr topraklı sistemlerde kullanılmalıdır.

Tüm Rutil, Bazik ve Selülozik örtülü elektrodlar için optimum ark karakteristiği sağlamak üzere 3 mod vardır.

Hot Start düğmesi ile elektrodların tutuşma kabiliyeti artırılır, Arc Force düğmesi ile elektrodların kısa devre ve kaynak banyosuna yapışma eğilimi azaltılabilir.

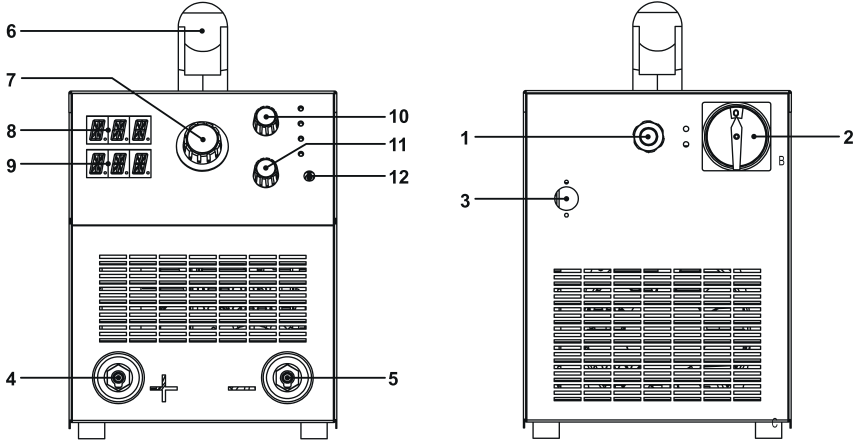
Valfli bir TIG Torcu ile tungsten ucun iş parçasına deydirilerek ark başlatılması yöntemi ile DC TIG kaynak makinesi olarak da kullanılabilir.

ID 250 E, 25 metre uzunluğa kadar kaynak kablolarıyla da kullanılabilir.

Opsiyonel kablolu ve kablosuz uzaktan kumanda seçenekleri ile kaynak akımının uzaktan kontrolüne imkan sağlar.

Makine fan soğutmalıdır ve aşırı ısınmaya karşı termik korumalıdır.


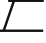



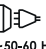



1.2 Makine Bileşenleri




Şekil 1: ID 250 E

- | | |
|--|-------------------------------|
| 1- Besleme Kablosu Girişi | 7- Akım Ayar Düğmesi |
| 2- Açma / Kapama Düğmesi | 8- Akım Göstergesi |
| 3- Uzaktan Kumanda Bağlantı Girişi | 9- Voltaj Göstergesi |
| 4- Kaynak ve Toprak Kablosu Soketi (+) | 10- Hot Start Düğmesi |
| 5- Kaynak ve Toprak Kablosu Soketi (-) | 11- Arc Force Düğmesi |
| 6- Tutamak | 12- Kaynak Modu Seçim Düğmesi |

1.3 Ürün Etiketi

MAGMA MEKATRONİK MAKİNE SAN. VE TİC. A.Ş.									
Organize Sanayi Bölgesi 5.Kısım Manisa-TÜRKİYE									
ID 250 E					Seri No:				
					EN 60974-1 / EN 60974-10				
5A / 20.2V - 250A / 30V					5A / 10.2V - 250A / 20V				
									
									
									
X		35%	60%	100%	X		35%	60%	100%
I ₂		250A	191A	148A	I ₂		250A	191A	148A
U ₂		30V	27.6V	25.9V	U ₂		20V	17.6V	15.9V
I ₁		18.8A	13.4A	10.1A	I ₁		13.8A	9.4A	6.8A
S ₁		13kVA	9.2kVA	7kVA	S ₁		9.5kVA	6.5kVA	4.7kVA
U ₀ =85V		I _{1max} =18.8A		I _{1eff} =11.1A		I _{1max} =13.8A		I _{1eff} =8.2A	
					IP21S				
									

 Üç Fazlı Transformatör Doğrultucu

 TIG Kaynağı

 Düşey Karakteristik

 Doğru Akım

 Örtülü Elektrod Kaynağı

 Şebeke Girişi-3 Fazlı Alternatif Akım

 Tehlikeli Ortamlarda Çalışmaya Uygun

X Çalışma Çevrimi

U₀ Boşta Çalışma Gerilimi

U₁ Şebeke Gerilimi ve Frekansı

U₂ Anma Kaynak Gerilimi

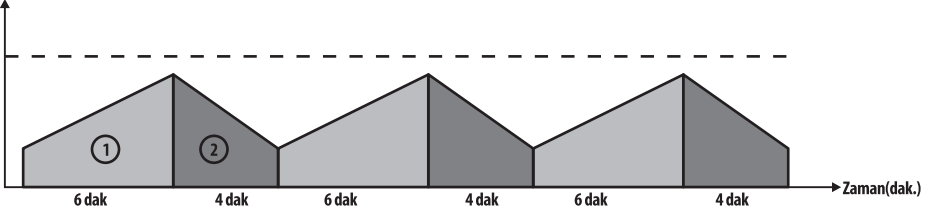
I₁ Şebekeden Çekilen Anma Akımı

I₂ Anma Kaynak Akımı

IP21S Koruma Sınıfı

S₁ Şebekeden Çekilen Güç

Çalışma Çevrimi
Sıcaklık (°C)



EN 60974-1 standardında da tanımlandığı üzere çalışma çevrim oranı 10 dakikalık bir zaman periyodunu içerir. Örnek olarak %60'da 250A olarak belirtilen bir makinede 250A'de çalışılmak isteniyorsa, makine 10 dakikalık zaman periyodunun ilk 6 dakikasında hiç durmadan kaynak yapabilir (1 bölgesi). Ancak bunu takip eden 4 dakika makine soğuması için boşta bekletilmelidir (2 bölgesi).

1.4 Teknik Özellikler

TEKNİK ÖZELLİKLER	BİRİM	DEĞER
Şebeke Gerilimi (3 faz - 50-60 Hz)	V	400
Şebekeden Çekilen Güç TIG (%35)	kVA	9,5
Şebekeden Çekilen Güç Örtülü Elektrod (%35)	kVA	13
Şebekeden Çekilen Akım TIG (%35)	A	13,8
Şebekeden Çekilen Akım Örtülü Elektrod (%35)	A	18,8
Güç Faktörü		0,65
Boşta Çalışma Gerilimi	VDC	85
Kaynak Akım Ayar Sahası	ADC	5 - 250
Anma Kaynak Akımı TIG (%30)	ADC	250
Anma Kaynak Akımı Örtülü Elektrod (%30)	ADC	250
Koruma Sınıfı		IP21S
Soğutma Sistemi		Hava
Boyutlar UxGxY	mm	526x250x408
Ağırlık	kg	22
Standart ve Onaylar		CE, EN60974-1 EN60974-10

1.5 Aksesuarlar

STANDART AKSESUARLAR	ADET	ÜRÜN KODU
Elektrod Pensesi ve Kablosu (25mm ² -3m)	1	K301000303
Topraklama Pensesi ve Kablosu (25mm ² -3m)	1	K301100303
OPSİYONEL AKSESUARLAR	ADET	ÜRÜN KODU
Uzaktan Kumanda 10m	1	790000210
Uzaktan Kumanda 20m	1	790000220
Uzaktan Kumanda 30m	1	790000230
Uzaktan Kumanda 40m	1	790000240
Uzaktan Kumanda 50m	1	790000250

KURULUM BİLGİLERİ

2.1 Teslim Alırken Dikkat Edilecek Hususlar

Satın aldığınız kaynak makinesini forkliftle taşıma kurallarına uyacak şekilde ambalajından çıkartmak için önce şirinkiyi yırtın, ardından çemberi kesin ve makineyi forkliftle taşıma kurallarına uyacak şekilde kaldırarak paletin üzerinden indirin. Siparişinizi eksiksiz teslim aldığınızdan emin olunuz . Herhangi bir malzemenin eksik veya hasarlı olması halinde derhal aldığınız yer ile temasa geçin.

Standart paket şunları içermektedir:

- Ana makine ve ona bağlı şebeke kablosu
- Garanti belgesi
- Topraklama pensesi ve kablosu
- Kullanım kılavuzu
- Elektrod pensesi ve kablosu

Hasarlı teslimat halinde tutanak tutun, hasarın resmini çekin, irsaliyenin fotokopisi ile birlikte nakliyeciyi firmaya bildirin. Sorunun devam etmesi halinde müşteri hizmetleri ile irtibata geçin.

Cihaz üzerindeki sembol ve anlamları;



Kaynak yapma işlemi tehlike içermektedir. Uygun çalışma koşulları sağlanmalı ve gerekli önlemler alınmalıdır. Uzman kişiler makinede sorumlu olup, gerekli donanımları sağlamalıdır. İlgili olmayan kişiler kaynak sahasından uzak tutulmalıdır.



Bu cihaz IEC 61000-3-12 uyumlu değildir. Evlerde kullanılan alçak gerilim şebekesine bağlanmak istenmesi durumunda, elektrik bağlantısını yapacak tesisatçının veya makineyi kullanacak kişinin, makinenin bağlanabilirliği konusunda bilgi sahibi olması gereklidir, bu durumda sorumluluk kullanıcıya aittir.



Cihaz üzerinde ve kullanım kılavuzunda bulunan güvenlik sembollerine ve uyarı notlarına dikkat edilmeli, etiketleri sökülmemelidir.



Izgaralar havalandırma amaçlıdır. Açıklıkların üzeri iyi bir soğutma sağlamak amacıyla örtülmemelidir ve içeriye yabancı cisim sokulmamalıdır.

2.2 Kurulum ve Çalışma Tavsiyeleri

- Makineyi taşıma esnasında gerekli önlemler alınmalıdır. Makineyi gaz tüpüyle birlikte kaldırmayın. Güç kaynağını düşmeyeceği ve devrilmeyeceği sert, düzgün ve eğimsiz bir zemine yerleştirin.
- Daha iyi performans için, makineyi çevresindeki nesnelere en az 30 cm uzağa yerleştirin. Makine çevresindeki aşırı ısınma, toz ve neme dikkat edin. Makineyi direk güneş ışığı altında çalıştırmayın. Ortam sıcaklığının 40°C yi aştığı durumlarda, makineyi daha düşük akımda ya da daha düşük çevrim oranında çalıştırın.
- Dış mekanlarda rüzgar ve yağmur varken kaynak yapmaktan kaçının. Bu tür durumlarda kaynak yapmak zorunluysa, kaynak bölgesini ve kaynak makinesini perde ve tenteye koruyun.
- Makineyi konumlandırırken duvar, perde, pano gibi materyallerin makinenin kontrol ve bağlantılarına kolay erişimi engellemediğinden emin olun.
- İçeride kaynak yapıyorsanız, uygun bir duman emme sistemi kullanın. Kapalı mekanlarda kaynak dumanı ve gazı soluma riski varsa, solunum aparatları kullanın.
- Ürün etiketinde belirtilen çalışma çevrimi oranlarına uyun. Çalışma çevrimi oranlarını sıklıkla aşmak, makineye hasar verebilir ve bu durum garantiyi geçersiz kılabılır.
- Sistemize uygun sigortayı kullanın.
- Toprak kablosunun kaynak bölgesinin olabildiğince yakınına sıkıca bağlayın. Kaynak akımının kaynak kabloları dışındaki elemanlardan, örneğin makinenin kendisi, gaz tüpü, zincir, rulman, üzerinden geçmesine izin vermeyin.
- Gaz tüpü makinenin üzerine yerleştirildiğinde, derhal zinciri bağlayarak gaz tüpünü sabitleyin. Eğer gaz tüpünü makinenin üzerine yerleştirmeyeceksiniz, tüpü zincirle duvara sabitleyin.
- Makinenin arkasında yer alan elektrik prizi CO₂ ısıtıcı içindir. CO₂ prize CO₂ ısıtıcı dışında bir cihazı kesinlikle bağlamayın!

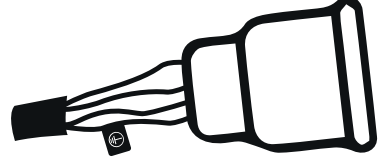
2.3 Elektrik Fişi Bağlantısı

TR



Güvenliğiniz için, makinenin şebeke kablosunu kesinlikle fişsiz kullanmayın.

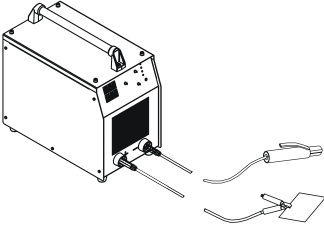
- Fabrika, şantiye ve atölyelerde farklı prizler bulunabileceği için şebeke kablosuna bir fiş bağlanmamıştır. Prize uygun bir fiş, kalifiye bir elektrikçi tarafından bağlanmalıdır (Şekil 3). Sarı/Yeşil renkte ve ⊕ ile işaretlenmiş olan toprak kablosunun mevcut olduğundan emin olun.
- FİŞİ KABLOYA BAĞLADIKTAN SONRA, BU AŞAMADA PRİZE TAKMAYIN.



Şekil 2: Elektrik Fişi Bağlantısı

2.4 Örtülü Elektrod Kaynağı İçin Bağlantılar

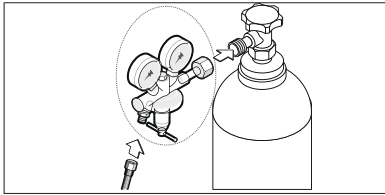
- Kaynak ve topraklama kablolarını kullanacak elektroda ve elektrodun üreticisinin tavsiye ettiği kutuplara göre kaynak ve toprak kablosu soketlerine (4 ve 5) takip saat yönünde çevirerek sıkılayın.
- Toprak pensinesini kaynak bölgesine olabildiğince yakın olacak şekilde iş parçasına bağlayın.



Şekil 3: Örtülü Elektrod Kaynağı Bağlantıları

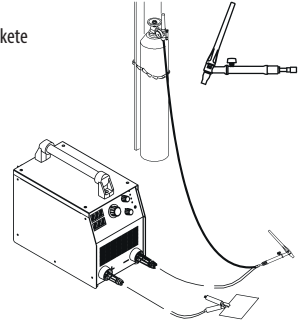
2.5 Temaslı TIG Kaynağı İçin Bağlantılar

- Gaz valfli bir TIG torcu kullanılmalıdır.
- TIG torcunun güç kablosunu eksi kutuplu sokete (5) bağlayın ve topraklama kablosunu artı kutuplu sokete (4) bağlayın.
- Argon gaz regülatörünü argon gaz tüpüne bağlayın.
- Torcun gaz hortumunu gaz regülatörüne bağlayın.



Şekil 5: Gaz Tüpü Bağlantısı

Elektrod Çapı "mm"	Nozul Çapı "mm"	Kaynak Akımı "ADC"	Gaz Debisi "lt/dak"
1.0	6.3	15-70	6-8
1.6	9.5	30-150	6-8



Şekil 4: TIG Kaynağı Bağlantısı

2.6 Şebekeye Bağlama



Fişi prize takarken, makinenin açma kapama anahtarının "0" konumunda olduğundan emin olun.

- Makineyi şebekeye bağlamadan önce 3 fazı bir voltmetre ile kontrol edin. Her faz arasının 400V ($\pm 40V$) olduğunu tespit ettikten sonra fişi prize takın.
- Açma/Kapama anahtarı ile makineyi çalıştırın.
- Fan sesini duyduktan ve voltmetre ile ampermetrenin ışığının yandığını gördükten sonra anahtarı tekrar "0" konumuna getirerek makineyi kapatın.

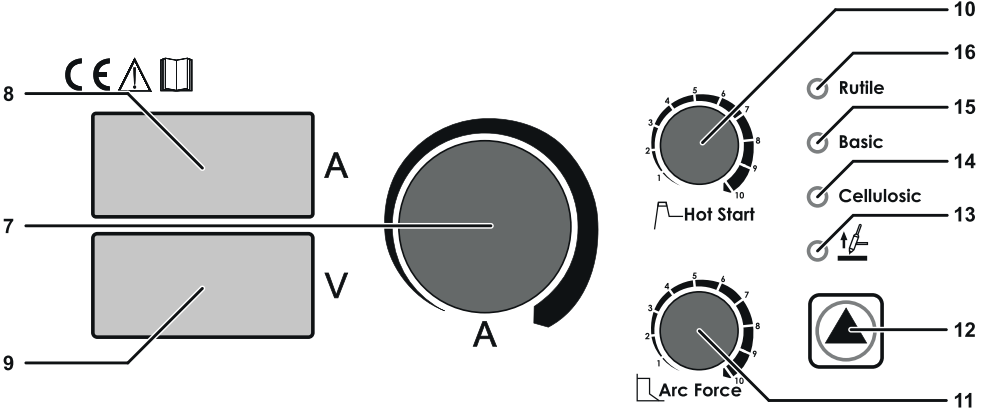


Şekil 6: Şebeke Bağlantısı

KULLANIM BİLGİLERİ

TR

3.1 Kontrol Paneli



magmaweld

ID 250E

7	Akım Ayar Düğmesi Kaynak akımı 5-400A aralığında ayarlanır.
8	Akım Göstergesi Makine kaynak yaparken kaynak akımını, onun dışında ayarlanan kaynak akımını gösterir.
9	Voltaj Göstergesi Makine kaynak yaparken kaynak voltajını, onun dışında boşa çalışma gerilimini gösterir.
10	Hot Start Düğmesi Örtülü elektrod kaynağı modlarında daha iyi tutuşma sağlamak için kullanılır.
11	Arc Force Düğmesi Örtülü elektrod kaynağı modlarında elektrodun kaynak banyosuna yapışma eğilimini azaltmak için kullanılır.
12	Kaynak Modu Seçim Düğmesi Örtülü elektrod kaynağı ve temaslı TIG kaynağı modlarından birini seçmek için kullanılır.
13	Temaslı TIG Kaynağı LEDi Temaslı TIG kaynağı yapılacağı zaman kaynak modu seçim düğmesi ile seçilir.
14	Selülozik Elektrod LEDi Selülozik elektrod ile örtülü elektrod kaynağı yapılacağı zaman kaynak modu seçim düğmesi ile seçilir.
15	Bazik Elektrod LEDi Bazik elektrod ile örtülü elektrod kaynağı yapılacağı zaman kaynak modu seçim düğmesi ile seçilir.
16	Rutil Elektrod LEDi Rutil elektrod ile örtülü elektrod kaynağı yapılacağı zaman kaynak modu seçim düğmesi ile seçilir.

3.2 Örtülü Elektrod Kaynağı

- Kaynak modu seçim düğmesi (12) ile örtülü elektrod kaynağı modlarından (rutil, bazik, selülozik) birini seçin. Seçtiğiniz örtülü elektrod kaynağı modunun LEDi yanacaktır.
- Akım ayar düğmesi (7) ile kaynak akımını ayarlayın.
- Aşağıdaki tablo alaşimsız çelik elektrodların kaynağı için verilmiş yaklaşık değerlerden oluşmaktadır. Kesin parametreler için elektrod üreticisinin tavsiyelerine uyunuz.

Çap	Tür	Rutil	Bazik	Selülozik
2.0		40-60 A	-	-
2.5		60-90 A	60-90 A	60-100 A
3.25		100-140 A	100-130 A	70-130 A
4.0		140-180 A	140-180 A	120-170 A
5.0		200-240 A	200-250 A	160-200 A
6.0		260-300 A	-	-

- Malzeme kalınlığı, malzemenin soğuk olması gibi nedenlerle ilk tutuşmada zorlanma yaşanırsa, HOT START düğmesini (10) saat yönünde çevirin. HOT START ayarı fazla geldiğinde ark parçayı yakabilir.
- Kaynak banyosuna yapışma ve ark sönmeye eğiliminde olan elektrodlar için ARC FORCE kullanılabilir. ARC FORCE düğmesini (11) saat yönünde çevirmek yapışmayı azaltır. ARC FORCE seviyesi arttıkça ark hırçınlaşır ve akımda dalgalanma gözlemlenebilir.
- Kaynağa başlayın. Akım göstergesinden (8) anlık kaynak akımını, voltaj göstergesinden (9) kaynak voltajını takip edebilirsiniz.

3.3 Temaslı TIG Kaynağı

- Kaynak modu seçim düğmesi (12) ile temaslı TIG kaynağı modunu seçin. Temaslı TIG kaynağı LEDi (13) yanacaktır.
- Akım ayar düğmesi (7) ile kaynak akımını ayarlayın.
- Kaynağa başlayın. Akım göstergesinden (8) anlık kaynak akımını, voltaj göstergesinden (9) kaynak voltajını takip edebilirsiniz.

3.4 Uzaktan Kumanda (Opsiyonel)

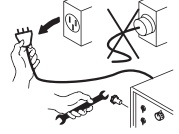
- Magma dan temin edebileceğiniz kablolu ve kablosuz uzaktan kumanda seçenekleri ile makineyi uzun mesafelerden kontrol etmeniz mümkündür. Bu durumda, uygun kontrol soketi yetkili bir Magma servisi tarafından makineye monte edilmelidir.
- Uzaktan kumanda makineye bağlandığında makine üzerindeki amper ayar düğmesi otomatik olarak devre dışı kalır ve akım ayarı uzaktan kumanda ile yapılır.



BAKIM VE ARIZA BİLGİLERİ

TR

- Geçerli güvenlik kurallarına bakım onarım işlemleri sırasında mutlaka okuyunuz.
- Tamir için makinenin herhangi bir civatasını sökmeden önce, makinenin elektrik fişini şebekeden ayırınız ve kondansatörlerin boşalması için 10 saniye bekleyiniz.

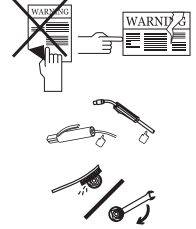


4.1. Bakım



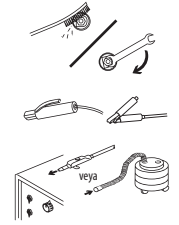
3 Ayda Bir

- Cihaz üzerindeki uyarı etiketlerini sökmeyiniz. Yıpranmış / yırtılmış etiketleri yenisi ile değiştiriniz. Etiketleri yetkili servisten temin edebilirsiniz.
- Penselerin ve Kablolara'nızın kontrolünü yapınız. Parçaların bağlantılarına ve sağlığına dikkat ediniz. Hasar görmüş / arızalı parçaları yenisi ile değiştiriniz. Kablo'lara ek/ onarım kesinlikle yapmayınız.



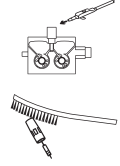
6 Ayda Bir

- Civata, somun gibi birleştirici parçaları temizleyiniz ve sıkıştırınız.
- Elektrod pensesi ve toprak pensesi kablolarını kontrol ediniz.
- Makinenin yan kapaklarını açarak düşük basınçlı kuru hava ile temizleyiniz. Elektronik parçalara yakın mesafeden basınçlı hava uygulamayınız.



4.2 Periyodik Olmayan Bakım

- Tel Sürme Mekanizması temiz tutulmalı ve makara yüzeyleri kesinlikle yağlanmamalı.
- Her kaynak teli değişiminde mutlaka mekanizma üzerinde biriken kalıntıları kuru hava yardımıyla temizleyin.
- Torç üzerindeki sarf malzemeler düzenli olarak temizlenmeli. Eğer gerekiyorsa değiştirilmeli. Bu malzemelerin uzun süreli kullanılması için orjinal ürünler olmasına dikkat edin.



NOT: Yukarıda belirtilen süreler, cihazınızda hiçbir sorunla karşılaşılması durumunda uygulanması gereken maksimum periyotlardır. Çalışma ortamınızın yoğunluğuna ve kirliliğine göre yukarıda belirtilen işlemleri daha sık aralıklarla tekrarlayabilirsiniz.



Asla kaynak makinesinin kapakları açırken kaynak yapmayın.

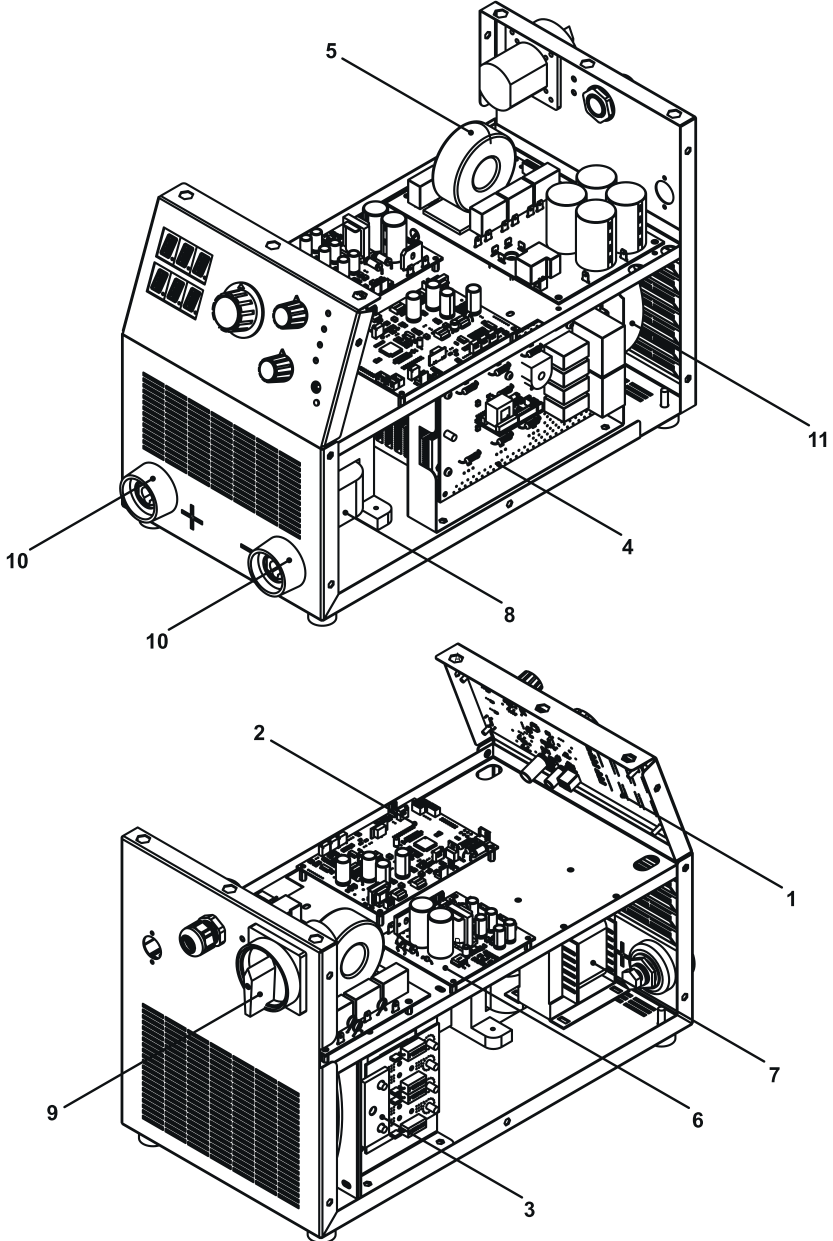
4.2 Hata Kodları

Şebeke voltajı yanlış olduğunda ya da termik olduğunda hata mesajı verir. Kurulum sırasında kaynak performansının etkilenmemesini istiyorsanız, makaraların tel çapına, torca, torca kullanılan sarflara, tel tipi, tel çapı ve gaz tipi gibi parametrelere dikkat edilmelidir.

Hata Kodu	Hata	Neden	Çözüm
ERR-T1	Termik Arıza	<ul style="list-style-type: none"> Havadaki yüksek sıcaklık yada yüksek amper değerlerinde uzun süre kaynak yapılması sonucunda makine aşırı ısınmış olabilir. 	<ul style="list-style-type: none"> Fanın makineyi soğutması için makineyi bir süre çalışır durumda bırakın. Makine soğuyup hata mesajı geçtiğinde kaynağa devam edebilirsiniz.
E2	Güç Modülü Hatası	<ul style="list-style-type: none"> Elektronik kart arızası olabilir. 	<ul style="list-style-type: none"> Makineyi kapatıp açın. Sorun devam ediyorsa şebeke voltajını kontrol edin. Şebeke voltajı normal olduğu halde sorun devam ediyorsa yetkili servis ile iletişime geçiniz.
E4	Elektronik Kart veya Şebeke Voltajı Yüksek	<ul style="list-style-type: none"> Elektronik kart veya şebeke voltajında yükselme olabilir. 	<ul style="list-style-type: none"> Elektronik kart ve şebeke voltajını kontrol edin. Voltajlar normal olduğu halde sorun devam ediyorsa yetkili servis ile iletişime geçiniz.
E8	Elektronik Kart veya Şebeke Voltajı Düşük	<ul style="list-style-type: none"> Elektronik kart veya şebeke voltajında düşüş olabilir. 	<ul style="list-style-type: none"> Elektronik kart ve şebeke voltajını kontrol edin. Voltajlar normal olduğu halde sorun devam ediyorsa yetkili servis ile iletişime geçiniz.
E16	Şebeke Voltajı Düşük	<ul style="list-style-type: none"> Şebeke voltajında düşüş olabilir. 	<ul style="list-style-type: none"> Şebeke voltajını kontrol edin. Şebeke voltajı normal olduğu halde sorun devam ediyorsa yetkili servis ile iletişime geçiniz.
E32	Şebeke Voltajı Yüksek	<ul style="list-style-type: none"> Şebeke voltajında yükselme olabilir. 	<ul style="list-style-type: none"> Şebeke voltajını kontrol edin. Şebeke voltajı normal olduğu halde sorun devam ediyorsa yetkili servis ile iletişime geçiniz.

EK 1 - YEDEK PARÇALARI

TR





EK 2 - YEDEK PARA LİSTESİ

NO	TANIM	MALZEME KODU
1	Elektronik Kart E202A-12	K405000137
2	Elektronik Kart E202A-3	K405000151
3	Elektronik Kart E202A-4B	K405000196
4	Elektronik Kart E202A-7A 250E	K405000246
5	Elektronik Kart E202A-FLT5PFC	K405000227
6	Elektronik Kart E110A-3	K405000193
7	Şok Bobin	K304500114
8	Güç Trafosu	A366000026
9	Pako Şalter	A308030004
10	Kaynak Prizi	A377900106
11	Fan	A250200018
	Hall Effect Sensör	A830900004
	Termostat	A314800106

TR

YETKİLİ SERVİSLER

ADANA SEYHAN BİR ELEKTRİK BORNIVA TAHHÜTİCİĞİ Yeni Sanayi Sitesi 2. Cad. No: 11 Tel: 01322 429 7070 Fax: 01322 4113392 Çp: 01507 2518584	DENİZLİ K.S. MANİSA TEKNİK HİZMET 1. Sanayi Sitesi 158. Sok. No:20 Tel: 01250 2637250 Fax: 01250 2617350 Çp: 01508 2113192	MANİSA MERTHAN TEKNİK HİZMET 25. Yılada, 399. Sok. No: 103A Tel: 01317 777889
ADANA SEYHAN TEK GİRİMLER KANIT KİTAPÇEK Yeni Sanayi Sitesi 5. Cad. No: 21 Tel: 01322 429 7192 Fax: 01322 429 7192 Çp: 01322 429 7192	DENİZLİ BÜŞE BOZKURBAN Sarıyaka Mah. 1. Sanayi Sitesi 151. Sok. No: 15 Tel: 01250 2620666 Fax: 01250 2620666 Çp: 01508 2429775	MARDİN GÖNÜL ELEKTRİK Yeni Mah. İpek Sok. Cad. İpek Kokuplantı No: 24 Tel: 01463 311845 Fax: 01463 3124787 Çp: 01541 3951190
AFYON KOCER KANIT YETKİLİ GECERLİ HİD. T.C. SAK. LTD. STİ. Genelkur. Mah. 625. Sokak No: 11/A Tel: 01272 151 1332	DIYARBAKIR YENİŞEHİR AKTİF BORNIVA 1. Sanayi Sitesi 111. Blok No: 1 Tel: 01250 2620666 Fax: 01250 2620666 Çp: 01541 4697100	MERSİN SANKETEK TEKNIK HİZMET Sarıyaka Mah. 2. Blok No: 24 Tel: 01434 341114 Fax: 01434 3424787 Çp: 01541 3951190
AKSARAY TAŞPINAR AKSARAY GAZİLERİ AKSARAY BARIŞI Kocayay 03.8. Etiler 03.8. Mah. 6. Sok. No: 13 Tel: 01272 808 2239	DÜZCE ERDEKİ AKSARAY Gölpazarı Mah. 975. Sok. No: 8 Tel: 01800 1548383 Tel: 01800 1548383 Çp: 01541 7628181	NİĞDE KİSİS ELEKTRONİK Sarıyaka Mah. 2. Sınıfı Enerji Bölümü Blok 8. Blok No: 46/D Tel: 01463 3114239 Çp: 01541 7783891
ANKARA OSTİM YENİMAHALLE TEKNİK HİZMETLER İnceölü 0.58. 1473. Cad. No: 29 Tel: 01312 394 3648 Çp: 01551 989 8001	ELAZIĞ BULUT ELEKTRİK BORNIVA Yeni Mah. 2. Blok No: 12 Tel: 01649 2464799 Tel: 01649 2464799 Çp: 01551 1471558	ORDU EPEP ELEKTRONİK Karaman Mah. 2. Sınıfı Şişli 2. Blok 1145. Sok. No: 15/A Tel: 01463 2331669 Tel: 01463 2331662 Çp: 01531 6604510
ANTALYA SÖNER MANİSA Konya Mah. 1. Blok No: 17/A Tel: 01420 365 9225	ERZİNCAN BAKURGÖĞÜ ELEKTRİK HİZMET Karaağaç Mah. Semtinin Cad. No: 18/A Tel: 01461 2210959	SAMSUN TESLON MANİSA HİZMET Yeni Mah. 1. Blok No: 3 Tel: 01463 2331662 Tel: 01463 2331662 Çp: 01531 6604510
AYDIN NAZILLI AMVİ OTOMASYON Kızıyolu Mah. 257. Sok. No: 32/A Tel: 01250 113 9942 Çp: 01541 179 9161	ERZURUM YAKUTİYE TEKNİK HİZMETLER Yeni Mah. 1. Blok No: 46 Tel: 01421 2451734 Çp: 01531 3122286	SAMSUN KANS BORNIVA Yeni Mah. 1. Blok No: 40 Tel: 01463 2331662 Tel: 01463 2331662 Çp: 01531 6604510
BALIKESİR BALIKESİR KANIT MENZİLİ Pınar Mah. Yeni Sanayi Sitesi H-46. Sok. No: 15/A Tel: 01060 246 4101 Çp: 01531 200 1721	ERZURUM YAKUTİYE TEKNİK HİZMETLER Yeni Mah. 1. Blok No: 46 Tel: 01421 2451734 Çp: 01531 3122286	SAMSUN KANS BORNIVA Yeni Mah. 1. Blok No: 40 Tel: 01463 2331662 Tel: 01463 2331662 Çp: 01531 6604510
BATMAN TOPUZ BORNIVA Günhan Mah. 1312. Sok. No: 35/A Tel: 01463 214 4770 Tel: 01451 201 1269 Çp: 01541 201 1269	GAZİANTEP GÖZNER BORNIVA İnceyay Mah. 18. Beşinci Bölüm Cad. No: 2/8 Tel: 01421 21 6088 Çp: 01521 282 0169	SİVAS YALÇINLAR GRUP ŞİMİLİ TİBERİ GAZLAR MAK. İNŞ. TAHH. İZMİR 038. 1. Köm. 1. Blok No: 12 Tel: 01461 2130224 Fax: 01461 2126114
BİNGÖL HEDEF ELEKTRONİK HİZMET Bahçeliler Mah. Şahinbey Kayı Cad. No: 47/8 Tel: 01630 216 6509 Çp: 01521 232 4838	HATAY KIRIKHAN DİVAKS HİZMET Mevlana Mah. Yeni Sanayi Sitesi 893. Sok. No: 4/A Tel: 01360 3441519	ŞANLIURFA KASAN BORNIVA Hamidiye Mah. Yeni San. St. 1866. Sok. No: 15 Tel: 01320 212 7079 Tel: 01340 236 0996 Çp: 01520 282 3619
BURSA YILDIRIM EMAN KANIT Yıldırım Mah. Bayıl. 016. Sanayi Sitesi 105. Sok. No: 3/5 Tel: 01220 940 0004 Tel: 01220 940 0004 Çp: 01220 940 0004	ISPARTA TEKNİK ELEKTRİK YETKİLİ MAZEMLELERİ Sarıyaka Mah. 2. Blok No: 27 Tel: 01461 2458173	TEKİRDAĞ ÇORLU TUPAN ELEKTRONİK Yeni San. St. Zülal Mah. Şehit Nispetiye İnce Mah. Cad. 201. Blok No: 10 Tel: 01240 0172339 Çp: 01460 4609730
BURSA NİLÜFER BALKER İYANKAR MAZEMLELERİ Kızıyolu Mah. 627. Sok. Yeni Pınar B. Blok No: 8/1 Tel: 01320 236 6208 Çp: 01320 233 0001	İSTANBUL TUZLA SVEZ TEKNIK Eylül Çarş. Mah. İnceyay Cad. Pınarlar Sok. Grapay. San. St. 0. Blok No: 37 Tel: 01210 4460939	TRABZON DEĞİRMENDERE SKRAN BORNIVA Adem Vural Mah. Yeni San. St. No: 6/1 Darıca Sarıyaka Mah. 1. Blok No: 17 Tel: 01240 0172339 Çp: 01531 6793232
BURSA NİLÜFER YILDIZ KANIT MAZEMLELERİ Uğur Mah. 50/200. Sok. Kocaeli Sanayi Sitesi Tel: 01220 233 0004 Çp: 01220 233 0001	İSTANBUL TUZLA EKOSİSTEK (TÜZLA ŞİBESİ) Aytemiz Mah. Yine Cad. No: 17/A Tel: 01210 4460939 Çp: 01210 4460939	TRABZON DEĞİRMENDERE SKRAN BORNIVA Adem Vural Mah. Yeni San. St. No: 6/1 Darıca Sarıyaka Mah. 1. Blok No: 17 Tel: 01240 0172339 Çp: 01531 6793232
ÇANAKKALE ERGEN BORNIVA İnceyay Mah. Yeni Sanayi Sitesi 12. Blok 11. Sok. No: 12 Tel: 01461 245 1616 Çp: 01541 385 1616	İSTANBUL TUZLA EKOSİSTEK (TÜZLA ŞİBESİ) Aytemiz Mah. Yine Cad. No: 17/A Tel: 01210 4460939 Çp: 01210 4460939	VAN TUTUNUGÖĞÜ LTD. STİ. Yeni Sanayi Sitesi Blok No: 16/16a Tel: 01240 0172339 Çp: 01530 9304225
ÇORUM KAPLAN SERVİSLERİ BORNIVA Mimar Sinan Mah. Kocaeli Sanayi Sitesi 23. Cad. No: 2 Tel: 01220 233 0004 Çp: 01320 233 0006	İSTANBUL TUZLA EKOSİSTEK (TÜZLA ŞİBESİ) Aytemiz Mah. Yine Cad. No: 17/A Tel: 01210 4460939 Çp: 01210 4460939	ZONGULDAK EREĞLİ TUNER MANİSA Kızıyolu Mah. 2. Blok No: 17 Tel: 01240 0172339 Çp: 01531 6811718
	İSTANBUL TUZLA EKOSİSTEK (TÜZLA ŞİBESİ) Aytemiz Mah. Yine Cad. No: 17/A Tel: 01210 4460939 Çp: 01210 4460939	KIRBIS GAZİMAĞUSA ULUW M. GEN. LTD. İnce Mah. 1. Blok No: 15 Tel: 01393 2654004

İMALATÇI FİRMA

Organize Sanayi Bölgesi 5. Kısım Yalçın Özaras Caddesi No: 1
45030, MANİSA, Türkiye

T: (+90) 236 226 27 28

Made in TÜRKİYE

02.03.2020

UM_IDE250_102015_032020_003_44



(+90) 444 93 53
magmaweld.com
info@magmaweld.com